



📍 Blk 23, No. 511, Huangpujiang North Road. Kunshan China  
☎ +86-0512-57026733  
✉ sales@xyd-tools.cn  
🌐 www.xyd-tool.com

20+ years of expertise in intelligent screwdriver

# OUR COMPANY



Act local Think global  
Covering 20+ countries & regions

## // 20+ Years Experience Expertise

As a company immersed in the core of "what can be done better," we've got the ability to combine a 20+ years history of bold thinking and a 100% focus on torque that keeps delivering accuracy, precision, durability, reliability, efficiency and steady quality.

# OUR CULTURE

## Solution-driven

Always here to work out the proper solutions to torque tool industry

## Satisfaction-oriented

Promptly Responsive  
Creatively Flexible  
Excellently Reliable

## Innovation-focused

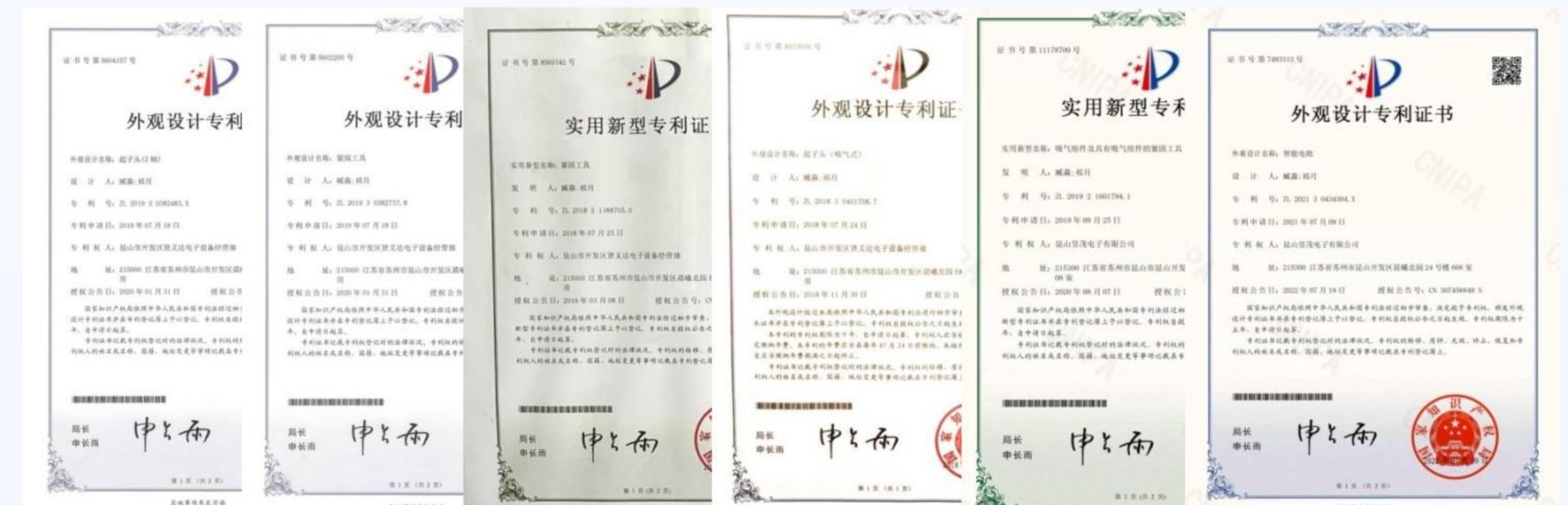
Always on the way of innovation to cope with the various challenges

## Quality-based

Able to reach 99.5~99.8% YR(yield rate)  
10,000,000 times of tightening lifespan  
5,000,000 times in warranty

# OUR PATENTS

50 utility model patents Multiple appearance patents



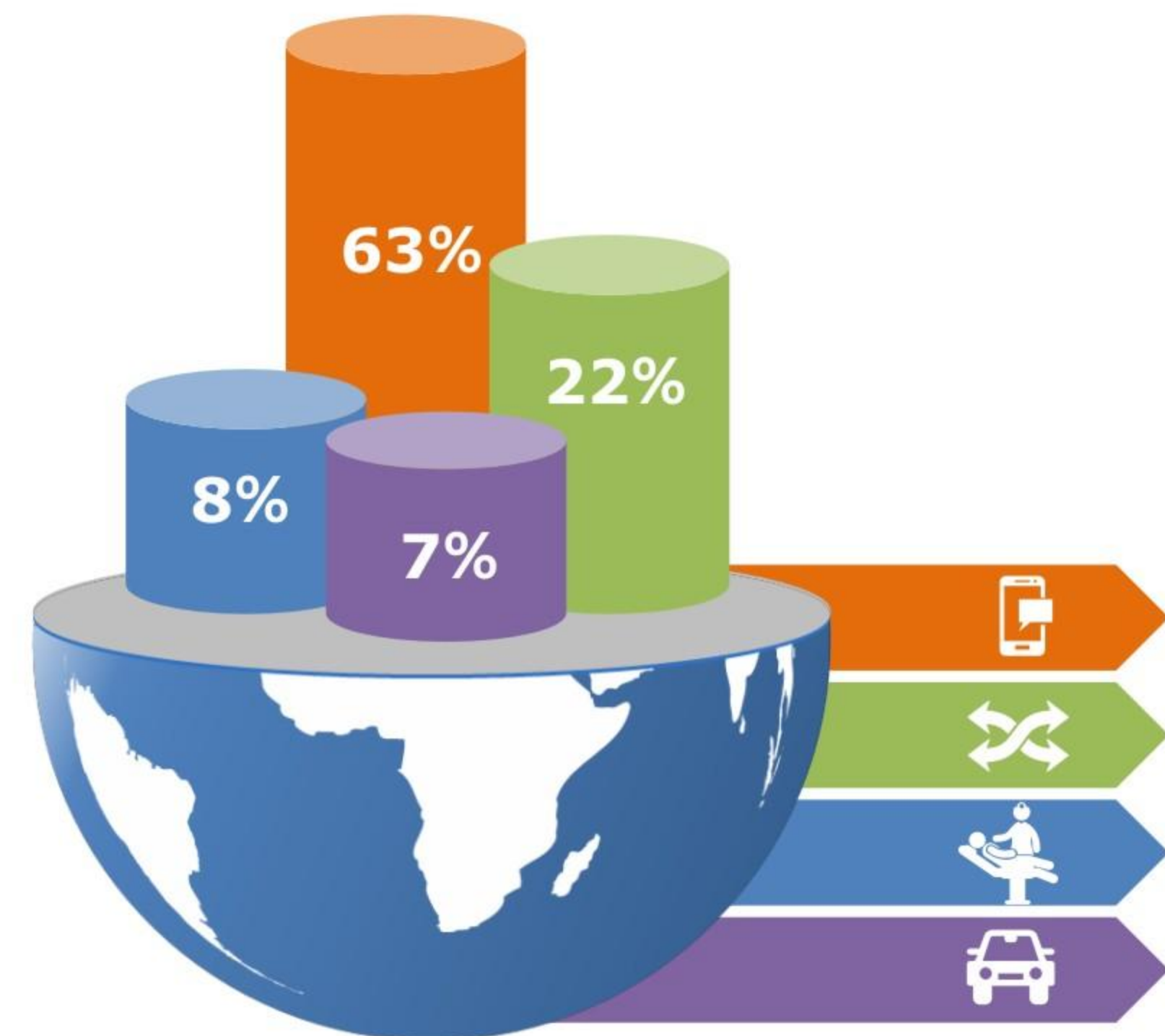
Partial certificates displayed

# CONTENTS



1	Our Company	21	<b>Customized Bits</b>
2	Our Culture	21	▸ Pneumatic Bits
2	Our Patents	22	▸ Magnetic Bits
5	Our Customers		
6	Our Advantages		
		<b>23</b>	<b>Nozzle</b>
<b>7</b>	<b>Smart Screwdriver</b>	<b>24</b>	<b>Vacuum adapter</b>
8	▸ Handheld Servo Smart Screwdriver	24	▸ Adapter for nozzle
9	▸ Handheld Servo Smart Screwdriver with LED	24	▸ Adapter for vacuum bits
10	▸ Fixed Servo smart screwdriver		
11	▸ Handheld 90°Smart Screwdriver (L type)	<b>25</b>	<b>Spare parts</b>
13	▸ Offset-torque smart screwdriver (Z type)	25	▸ YM-DT-8512 IPC
		26	▸ Power adapter
<b>16</b>	<b>Smart Screwdriver Controller</b>	27	▸ Ergo Arm
16	▸ Serial Port	28	▸ Bits(Normal type)
17	▸ NET Port		
		<b>31</b>	<b>External Dimensions</b>
<b>18</b>	<b>Software</b>		
18	▸ YM-ZNTT Tools Talk		
19	▸ YM-TQTT Torque Testing Software		

# OUR CUSTOMERS



3C INDUSTRY (63%) ✓

AUTOMATION (22%) ✓

MEDICAL INDUSTRY(8%) ✓

AUTOMOTIVE (7%) ✓



20+

• 20+ Industry experience in bits & smart screwdriver

C919

• Software Dept. led by ex-C919 Sr. Software Mgr.

99.8%

• Able to reach yield rate between 99.5~99.8%

50,000 & 10,000,000

• 50,000 max bit life cycle 3 times higher than the average  
• 10,000,000 max screwdriver lifespan Doubled the average industry level

Φ0.9mm With 0.5mm

• Φ0.9mm with 0.5mm air-intake hole bits

3 WEEKS

• 3 weeks to fulfill customization request

After-sales service

• OSS in 9 cities;  
• one week repair L/T;  
• 1-year warranty  
• 5,000,000 lifespan in warranty

Cost effective

• Reasonable Price  
• Worthy Experience

## OUR ADVANTAGES

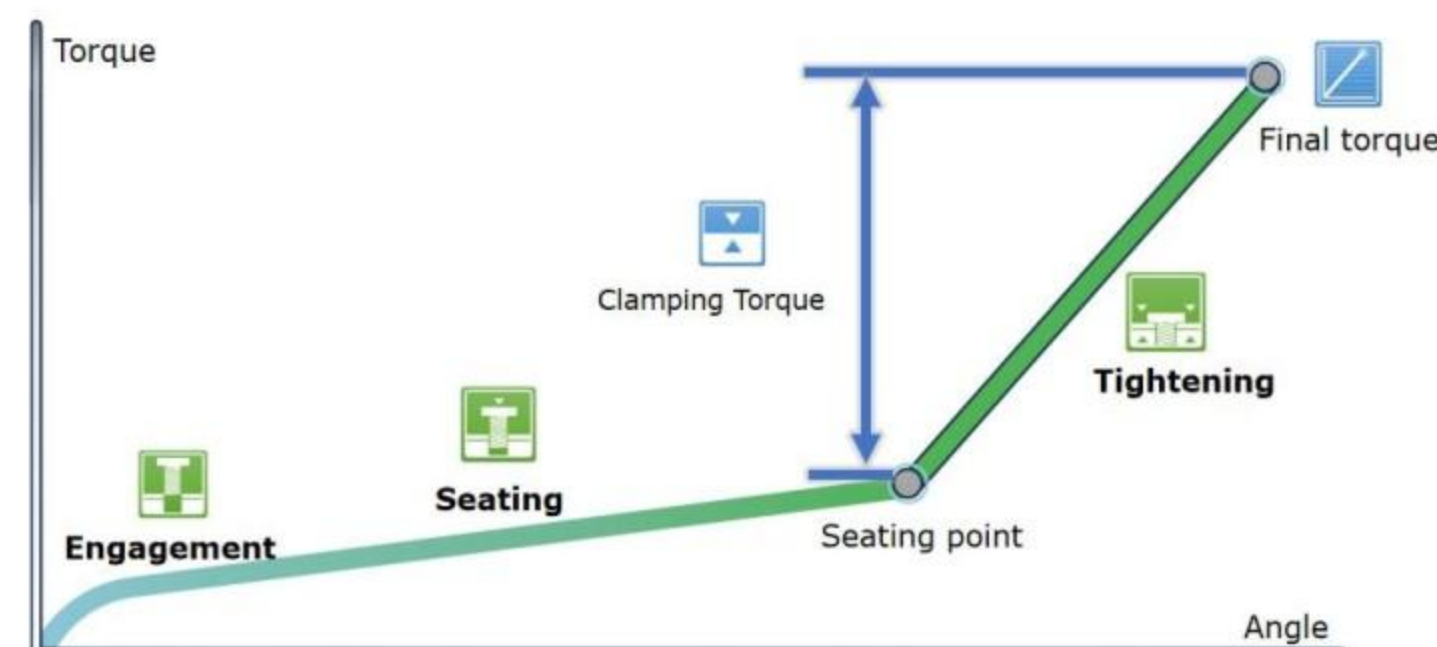
# Smart Screwdriver



## Common: features

- A closed-loop servo motor controller ; Accuracy up to  $\pm 3\%$  ; 10 million times tightening life span
- Ergonomical design structure and directly connected with motor to save maintenance labor cost
- Equipped with an angle encoder to fulfill more flexible rotation needs.

Adopt current sensing method to achieve reverse and unlocking screw data recording

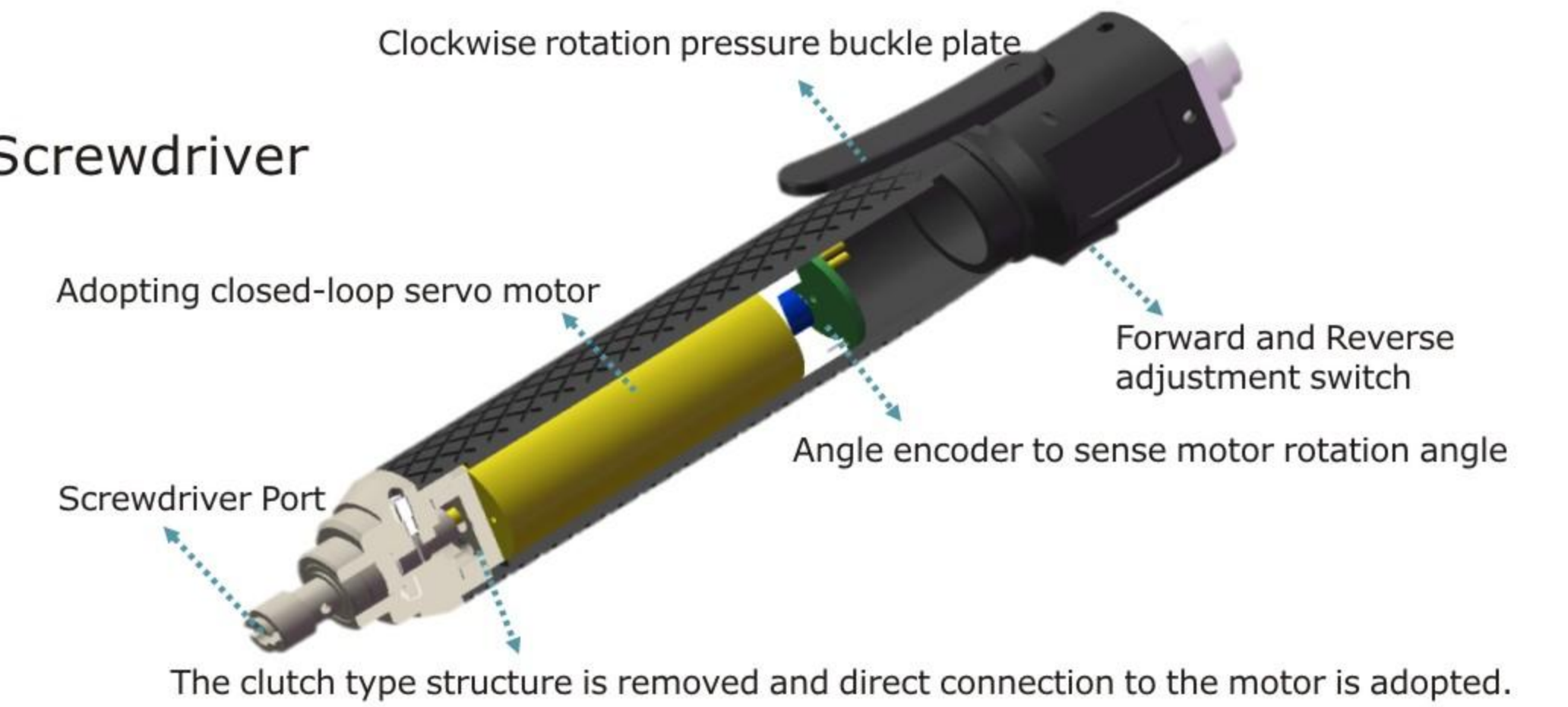


The tightening process is divided into three stages:  
Engagement;  
Seating;  
Tightening.

Crucial factors such as rotation angle, real-time torque and tightening torque are precisely controlled and meticulously detected throughout the entire process.

# Smart Screwdriver

## ● Handheld Servo Smart Screwdriver



### ZN Series

**Low Torque; High Accuracy  $\pm 3\%$**   
Excellence in terms of  
1. High speed  
2. Small size  
3. Light weight

**YM-ZN-008**

### NLK Series

Torque output up to 150 kgf.cm

**YM-ZN-1500 NLK**

Model	Controller	Model	Controller	Applicable Bit Type	Torque			Torque accuracy	Free Speed RPM	Length mm	Width mm	Weight Kg	Power
					Kgf.cm	N.m	lbf.in						
YM-ZN-008	YM-2448-05	YM-ZN-008NLK	YM-NDC-2448-05	Φ4 Half Moon/ Φ4 Hios	0.20-0.80	0.02-0.08	0.18-0.72	$\pm 3\%$	20-1000	197	28	0.33	DC24V(5A)
YM-ZN-025		YM-ZN-025NLK		Φ4 Half Moon/ Φ4 Hios	0.50-2.50	0.05-0.25	0.45-2.25	$\pm 3\%$	20-1000	215	30	0.53	DC24V(5A)
YM-ZN-050	YM-2448-105	YM-ZN-050NLK	YM-NDC-2448-105	Φ4 Half Moon/ Φ4 Hios	1.00-5.00	0.10-0.50	0.90-4.5	$\pm 5\%$	20-1000	222	33	0.67	DC24V(5A)
YM-ZN-120	YM-2448-510	YM-ZN-120NLK	YM-NDC-2448-510	Φ5 Hios	2.00-12.00	0.20-1.20	1.80-10.80	$\pm 5\%$	50-1000	241	30	0.65	DC48V(10A)
YM-ZN-150	YM-2448-10	YM-ZN-150NLK	YM-NDC-2448-10	HEX 6.35	5.00-15.00	0.500-1.5	4.50-13.50	$\pm 5\%$	50-800	247.5	34	0.84	DC48V(10A)
YM-ZN-250		YM-ZN-250NLK		HEX 6.35	10.00-25.00	1.00-2.50	9.00-22.50	$\pm 5\%$	50-800	247.5	34	0.84	DC48V(10A)
YM-ZN-600		YM-ZN-600NLK		HEX 6.35	20.00-60.00	2.00-6.00	18.00-54.00	$\pm 7\%$	50-600	247.5	34	0.89	DC48V(10A)
YM-ZN-800		YM-ZN-800NLK		HEX 6.35	30.00-80.00	3.00-8.00	27.00-72.00	$\pm 10\%$	50-600	247.5	34	0.89	DC48V(10A)
YM-ZN-1000	YM-ZN-1000NLK	HEX 6.35	50.00-100.00	5.00-10.00	45.00-90.00	$\pm 10\%$	50-400	294.5	35	1.14	DC48V(10A)		
YM-ZN-1500	YM-ZN-1500NLK	HEX 6.35	100.00-150.00	10.00-15.00	90.00-135.00	$\pm 10\%$	50-400	303.5	35	1.50	DC48V(10A)		

# Smart Screwdriver

- Handheld Servo Smart Screwdriver with LED



Aluminum-magnesium alloy

YM-ZN-008-V1

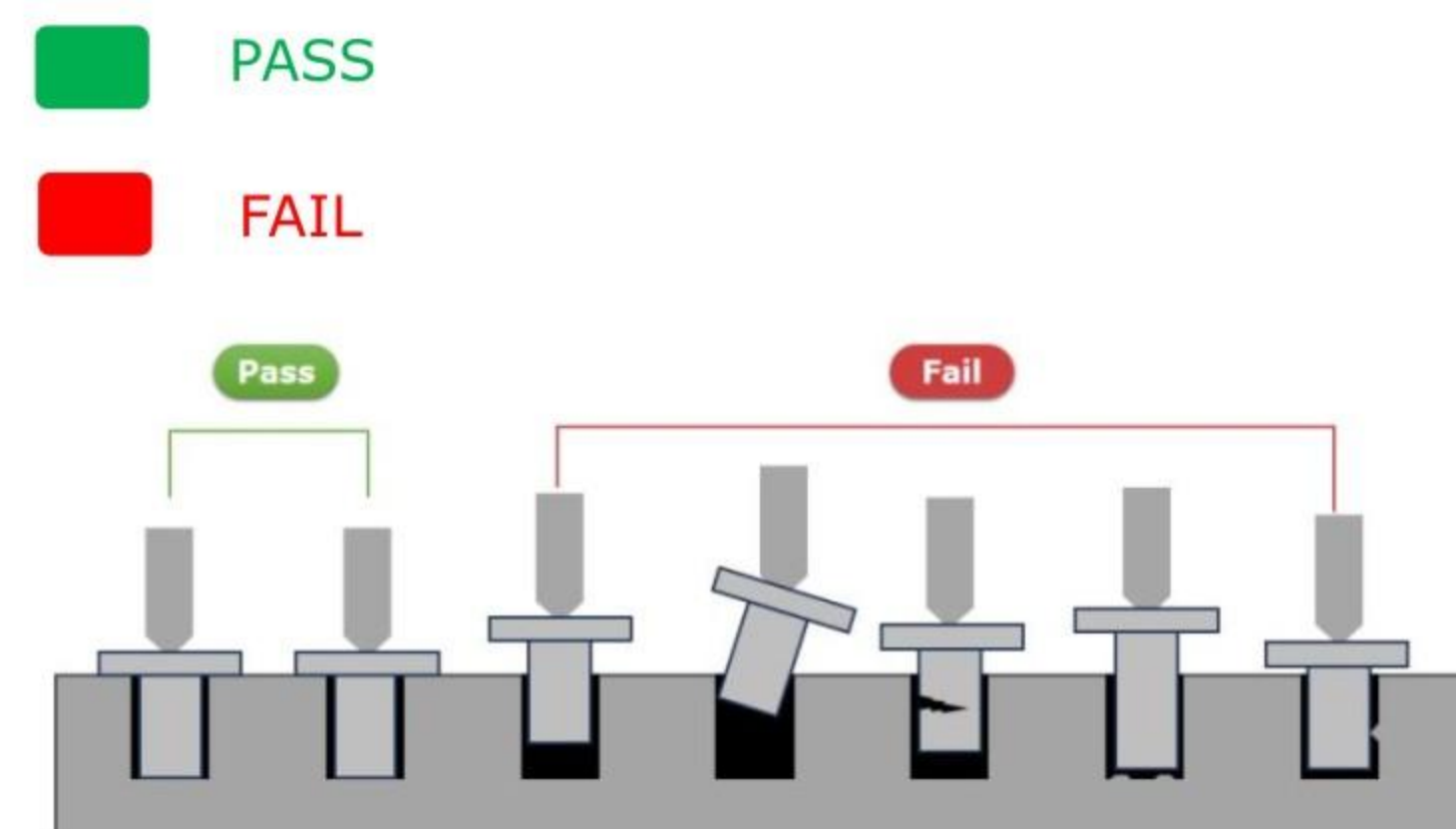


PE with anti-static

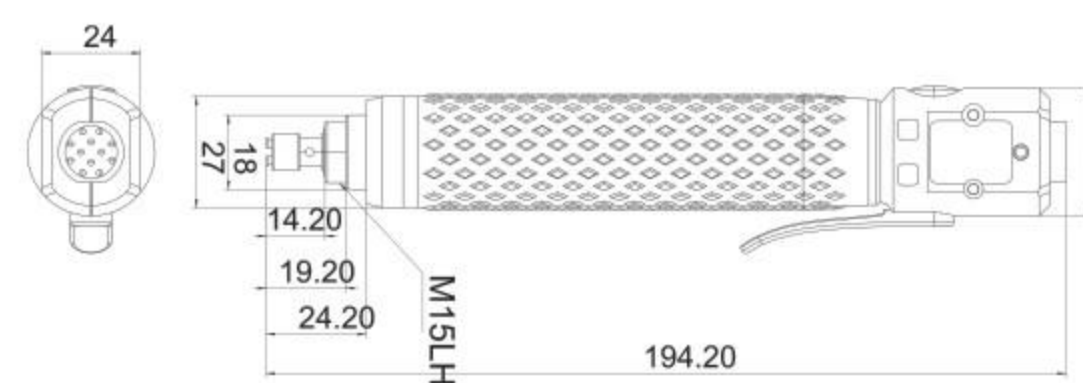
YM-ZNJJ-008

## Common features

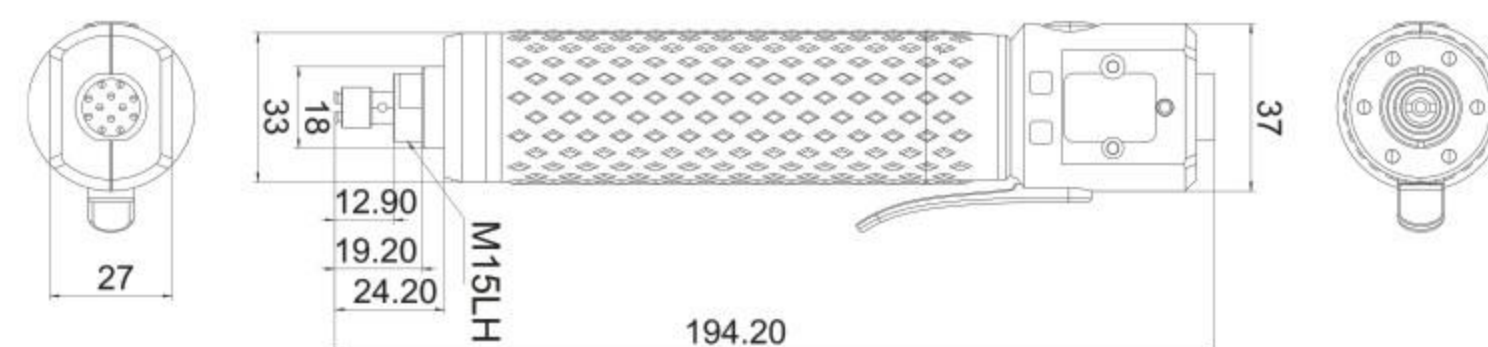
- A closed-loop servo motor controller ; Accuracy up to  $\pm 5\%$  ; 5 million times tightening life cycle
- Ergonomical design structure and directly connected with motor to save maintenance labor cost
- Equipped with an angle encoder to allow more flexible rotation needs.
- Adopt current sensing method to achieve reverse and record unlocking screw data recording



Model	Controller	Applicable Bit Type	Torque			Free Speed	Length	Width	Weight
			mm	Kgf.cm	N.m				
YM-ZNJJ-008	YM-2448-05-V1	Φ4 Half Moon/ Φ4 Hios	0.20-0.80	0.02-0.08	0.18-0.72	20-1000	194.2	27	0.23
YM-ZNJJ-015			0.3-1.5	0.03-0.15	0.27-1.35	20-1000	194.2	33	0.32
YM-ZN-008-V1	YM-2448-05-V1		0.20-0.80	0.02-0.08	0.18-0.72	20-1000	194.2	27	0.28
YM-ZN-008-V2	YM-2448-05-V2		0.20-0.80	0.02-0.08	0.18-0.72	20-1000	194.2	27	0.28
YM-ZN-015-V1	YM-2448-05-V1		0.3-1.5	0.03-0.15	0.27-1.35	20-1000	194.2	33	0.4
YM-ZN-015-V2	YM-2448-05-V2		0.3-1.5	0.03-0.15	0.27-1.35	20-1000	194.2	33	0.4



YM-ZNJJ-008/YM-ZN-008-V1/YM-ZN-008-V2



YM-ZNJJ-015/YM-ZN-015-V1/YM-ZN-015-V2

# Smart Screwdriver

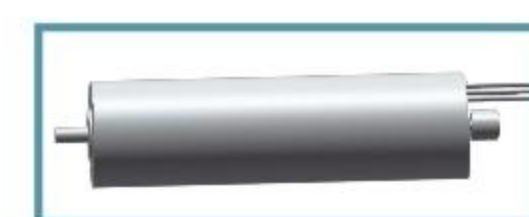
- Fixed Servo Smart Screwdriver

YM-025-ATU



YM-120-ATU

High-precision closed-loop servo motor



Threads on the sides and bottom for easier assembly



Smart screwdriver with rebound mechanism

Model Number	Controller	Applicable Bit Type	Torque			Free Speed	Length	Width	Weight
			mm	Kgf.cm	N.m				
YM-008-ATU	YMAT-NDC-2448-05	Φ4 Half Moon/Φ4 Hios	0.20-0.80	0.02-0.08	0.18-0.72	20-1000	140.5	28	0.35
YM-025-ATU	YMAT-NDC-2448-05	Φ4 Half Moon/Φ4 Hios	0.50-2.50	0.05-0.25	0.45-2.25	20-1000	180.5	34	0.60
YM-050-ATU	YMAT-NDC-2448-105	Φ4 Half Moon/Φ4 Hios	1.00-5.00	0.10-0.50	0.90-4.5	20-1000	184	36	0.61
YM-120-ATU	YMAT-NDC-2448-510	Φ5 Hios	2.00-12.00	0.20-1.20	1.80-10.80	50-1000	210.2	34	0.70
YM-150-ATU	YMAT-NDC-2448-10	HEX 6.35	5.00-15.00	0.500-1.5	4.50-13.50	50-800	199.6	38	0.86
YM-250-ATU	YMAT-NDC-2448-10	HEX 6.35	10.00-25.00	1.00-2.50	9.00-22.50	50-800	199.6	38	0.86
YM-600-ATU	YMAT-NDC-2448-10	HEX 6.35	20.00-60.00	2.00-6.00	18.00-54.00	50-600	209.6	38	0.90
YM-1000-ATU	YMAT-NDC-2448-10	HEX 6.35	50.00-100.00	5.00-10.00	45.00-190.00	50-400	242.6	38	1.15

# Smart Screwdriver

## ● Handheld 90° Smart Screwdriver L type



The L-type gearbox can only be used with handheld smart screwdrivers.

**High precision:** Gearbox ensures micro torque output with accuracy up to  $\pm 5\%$ .

**Multiple scenarios:** With offset gearbox, L type screwdrivers are capable of handling various complex working scenarios.

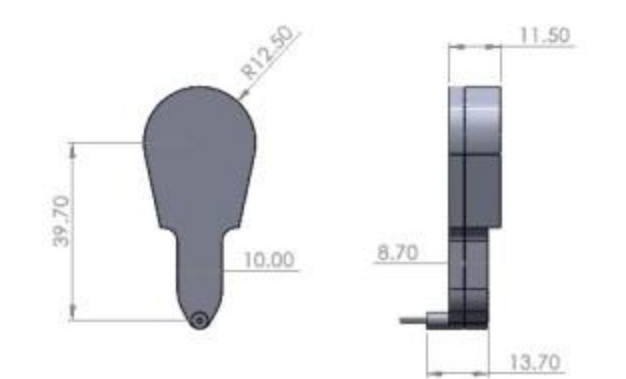
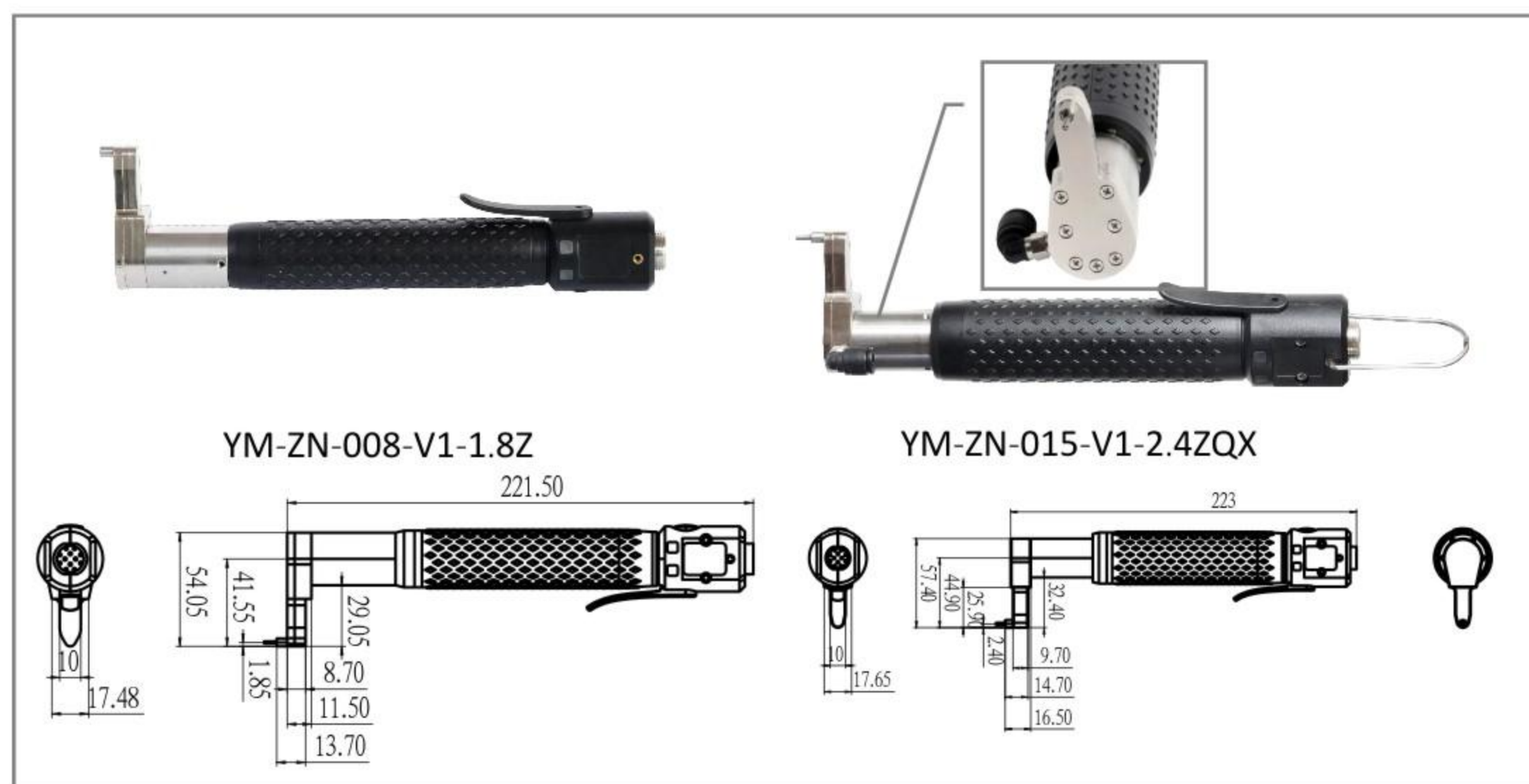
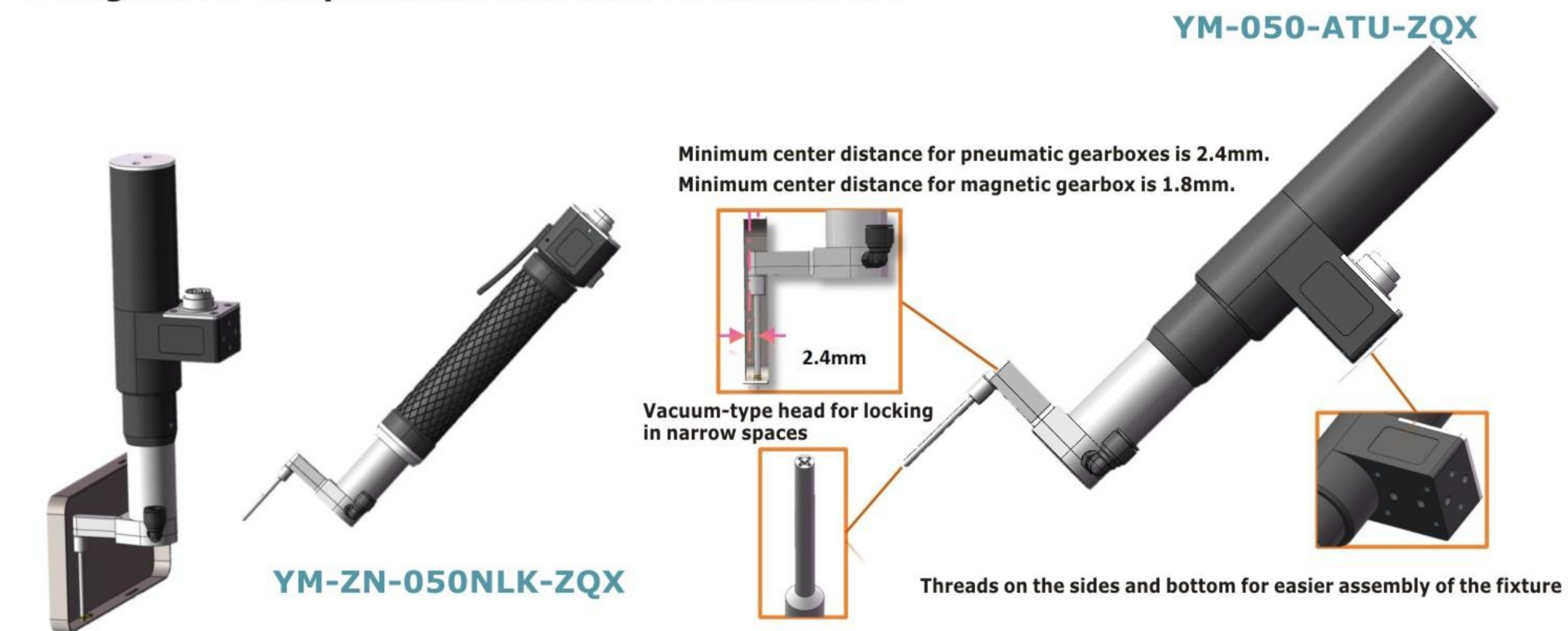


Model	Controller	Applicable Bit Type	Torque			Free Speed RPM	Head diameter mm	Length mm
			mm	Kgf.cm	N.m			
YM-ZN-050-L	YM-2448-105	Φ5 Half moon	1-4	0.1-0.4	0.9-3.6	20-1000	10	96.62
YM-ZN-050NLK-L	YM-NDC-2448-105	Φ5 Half moon	1-4	0.1-0.4	0.9-3.6	20-1000	10	96.62
YM-ZN-120-L	YM-2448-510	Φ5 Half moon	2-10	0.2-1	1.8-9	50-1000	10	96.62
YM-ZN-120NLK-L	YM-NDC-2448-510	Φ5 Half moon	2-10	0.2-1	1.8-9	50-1000	10	96.62
YM-ZN-150-L	YM-2448-10	Hex 6.35	5-12	0.5-1.2	4.5-10.8	50-800	14.3	52.90
YM-ZN-150NLK-L	YM-NDC-2448-10	Hex 6.35	5-12	0.5-1.2	4.5-10.8	50-800	14.3	52.90
YM-ZN-250-L	YM-2448-10	Hex 6.35	10-20	1-2	9-18	50-800	14.3	52.90
YM-ZN-250NLK-L	YM-NDC-2448-10	Hex 6.35	10-20	1-2	9-18	50-800	14.3	52.90
YM-ZN-600-L	YM-2448-10	Hex 6.35	20-50	2-5	18-45	50-600	14.3	52.90
YM-ZN-600NLK-L	YM-NDC-2448-10	Hex 6.35	20-50	2-5	18-45	50-600	14.3	52.90
YM-ZN-800-L	YM-2448-10	Hex 6.35	30-70	3-7	27-63	50-600	14.3	52.90
YM-ZN-800NLK-L	YM-NDC-2448-10	Hex 6.35	30-70	3-7	27-63	50-600	14.3	52.90
YM-ZN-050-LQX	YM-2448-105	Φ5 Half moon	1-4	0.1-0.4	0.9-3.6	20-1000	10	96.62
YM-ZN-050NLK-LQX	YM-NDC-2448-105	Φ5 Half moon	1-4	0.1-0.4	0.9-3.6	20-1000	10	96.62
YM-ZN-120-LQX	YM-2448-510	Φ5 Half moon	2-10	0.2-1	1.8-9	50-1000	10	96.62
YM-ZN-120NLK-LQX	YM-NDC-2448-510	Φ5 Half moon	2-10	0.2-1	1.8-9	50-1000	10	96.62

# Smart Screwdriver

- Offset-torque smart screwdriver Z type

Designed for the positions with interference above



1.8Z



2.4Z



The Z-gearbox can apply to all handheld and fixed smart screwdrivers.

Model	Controller	Applicable Bit Type	Torque			Free Speed	Head diameter	Center distance
			mm	Kgf.cm	N.m			
YM-008-ATU-1.8Z	YMAT-NDC-2448-05	Hex 0.7 socket	0.2-0.6	0.02-0.06	0.18-0.54	20-1000	1.85	41.55
YM-008-ATU-2.4Z	YMAT-NDC-2448-05	H2.2 square socket	0.2-0.6	0.02-0.06	0.18-0.54	20-1000	2.4	44.9
YM-025-ATU-Z	YMAT-NDC-2448-05	Hex 1.8 socket	0.5-2	0.05-0.2	0.45-1.8	20-1000	4	44.8
YM-050-ATU-Z	YMAT-NDC-2448-105	Hex 1.8 socket	1-3	0.1-0.3	0.9-2.7	20-1000	4	44.8
YM-150-ATU-Z	YMAT-NDC-2448-10	Φ4 Halfmoon	5-10	0.5-1	4.5-9	50-800	5	48.8
YM-008-ATU-1.8ZQX	YMAT-NDC-2448-05	Hex 0.7 socket	0.2-0.6	0.02-0.06	0.18-0.54	20-1000	1.85	41.55
YM-008-ATU-2.4ZQX	YMAT-NDC-2448-05	H2.2 square socket	0.2-0.6	0.02-0.06	0.18-0.54	20-1000	2.4	44.9
YM-025-ATU-ZQX	YMAT-NDC-2448-05	Hex 1.8 socket	0.5-2	0.05-0.2	0.45-1.8	20-1000	4	44.8
YM-050-ATU-ZQX	YMAT-NDC-2448-105	Hex 1.8 socket	1-3	0.1-0.3	0.9-2.7	20-1000	4	44.8
YM-150-ATU-ZQX	YMAT-NDC-2448-10	Φ4 Halfmoon	5-10	0.5-1	4.5-9	50-800	5	48.8

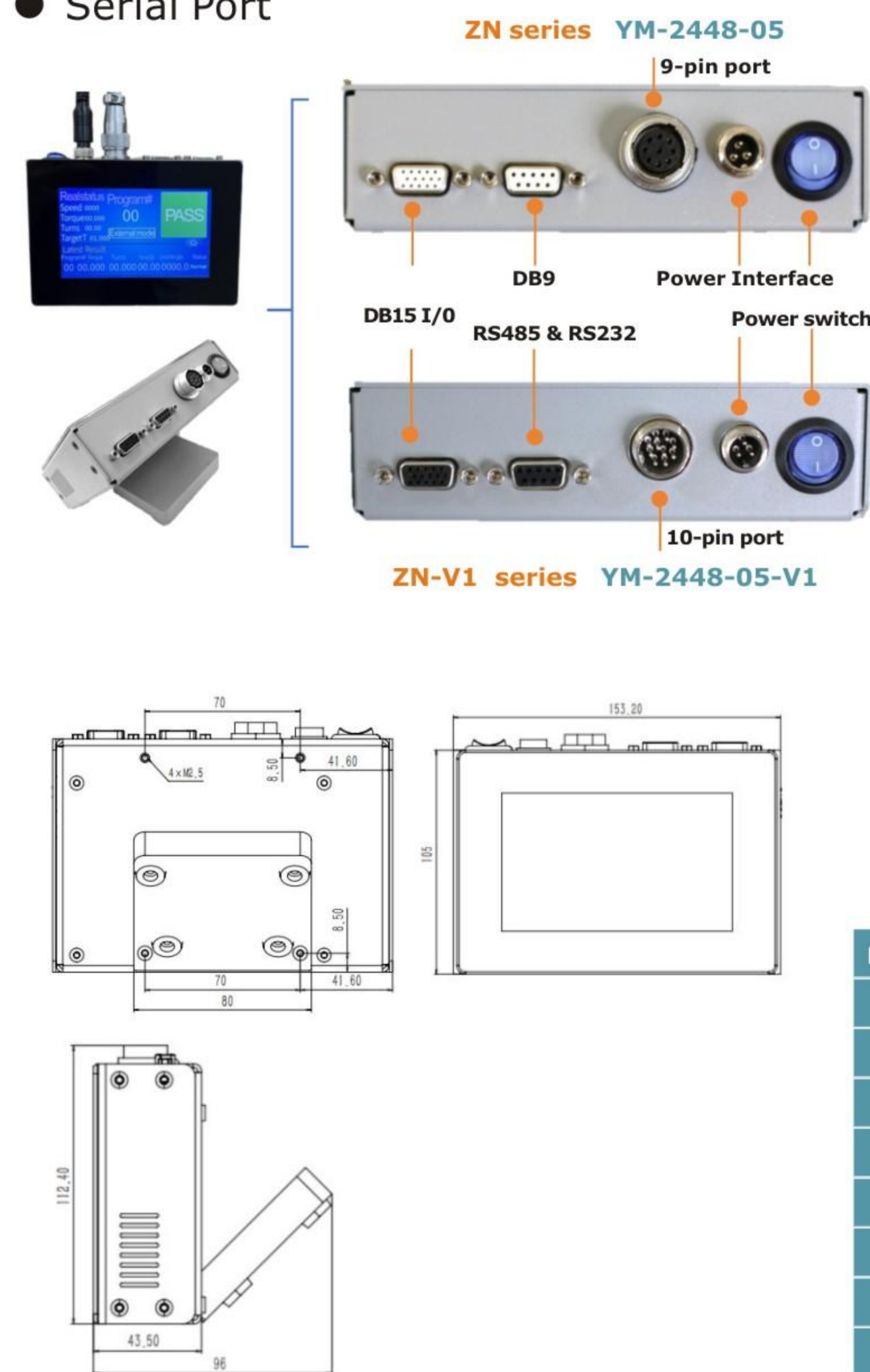
Model	Controller	Applicable Bit Type	Torque			Free Speed	Head diameter	Center distance
			mm	Kgf.cm	N.m			
YM-ZN-008-1.8Z	YM-2448-05	Hex 0.7 socket	0.2-0.6	0.02-0.06	0.18-0.54	20-1000	1.85	41.55
YM-ZN-008-2.4Z	YM-2448-05	H1.25 square socket	0.2-0.6	0.02-0.06	0.18-0.54	20-1000	2.40	44.90
YM-ZN-008-V1-1.8Z	YM-2448-05-V1	Hex 0.7 socket	0.2-0.6	0.02-0.06	0.18-0.54	20-1000	1.85	41.55
YM-ZN-008-V1-2.4Z	YM-2448-05-V1	H1.25 square socket	0.2-0.6	0.02-0.06	0.18-0.54	20-1000	2.40	44.90
YM-ZN-008-V2-1.8Z	YM-2448-05-V2	Hex 0.7 socket	0.2-0.6	0.02-0.06	0.18-0.54	20-1000	1.85	41.55
YM-ZN-008-V2-2.4Z	YM-2448-05-V2	H1.25 square socket	0.2-0.6	0.02-0.06	0.18-0.54	20-1000	2.40	44.90
YM-ZN-008NLK-1.8Z	YM-NDC-2448-05	Hex 0.7 socket	0.2-0.6	0.02-0.06	0.18-0.54	20-1000	1.85	41.55



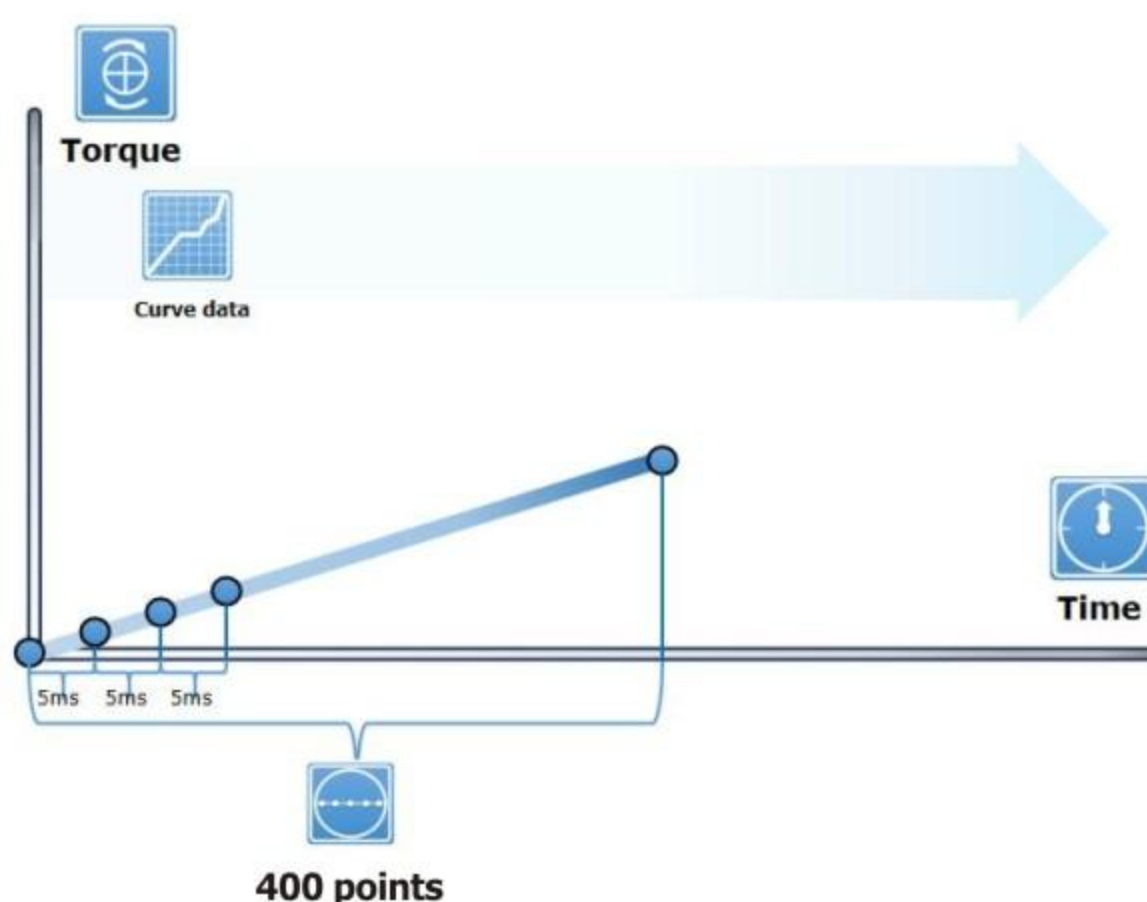
Model	Controller	Applicable Bit Type	Torque			Free Speed	Head diameter	Center distance
			mm	Kgf.cm	N.m			
YM-ZN-008-NLK-2.4Z	YM-NDC-2448-05	H1.25 square socket	0.2-0.6	0.02-0.06	0.18-0.54	20-1000	2.40	44.90
YM-ZN-015-V1-2.4Z	YM-2448-05-V1	H1.25 square socket	0.3-1	0.03-0.1	0.27-0.9	20-1000	2.40	44.90
YM-ZN-015-V2-2.4Z	YM-2448-05-V2	H1.25 square socket	0.3-1	0.03-0.1	0.27-0.9	20-1000	2.40	44.90
YM-ZN-025-Z	YM-2448-05	Hex 1.8 socket	0.5-1.5	0.05-0.15	0.45-1.35	20-1000	4	44.8
YM-ZN-025NLK-Z	YM-NDC-2448-05	Hex 1.8 socket	0.5-1.5	0.05-0.15	0.45-1.35	20-1000	4	44.8
YM-ZN-050-Z	YM-2448-105	Hex 1.8 socket	1-3	0.1-0.3	0.9-2.7	20-1000	4	44.8
YM-ZN-050NLK-Z	YM-NDC-2448-105	Hex 1.8 socket	1-3	0.1-0.3	0.9-2.7	20-1000	4	44.8
YM-ZN-150-Z	YM-2448-10	φ4 Half moon	5-10	0.5-1	4.5-9	50-800	5	48.8
YM-ZN-150NLK-Z	YM-NDC-2448-10	φ4 Half moon	5-10	0.5-1	4.5-9	50-800	5	48.8
YM-ZN-250-Z	YM-2448-10	Hex 2.8 socket	8-15	0.8-1.5	7.2-13.5	50-800	5	48.8
YM-ZN-250NLK-Z	YM-NDC-2448-10	Hex 2.8 socket	8-15	0.8-1.5	7.2-13.5	50-800	5	48.8
YM-ZN-008-V1-2.4ZQX	YM-2448-05-V1	H1.25 square socket	0.2-0.6	0.02-0.06	0.18-0.54	20-1000	2.40	44.90
YM-ZN-008-V2-2.4ZQX	YM-2448-05-V2	H1.25 square socket	0.2-0.6	0.02-0.06	0.18-0.54	20-1000	2.40	44.90
YM-ZN-015-V1-2.4ZQX	YM-2448-05-V1	H1.25 square socket	0.3-1	0.03-0.1	0.27-0.9	20-1000	2.40	44.90
YM-ZN-015-V2-2.4ZQX	YM-2448-05-V2	H1.25 square socket	0.3-1	0.03-0.1	0.27-0.9	20-1000	2.40	44.90
YM-ZN-008-2.4ZQX	YM-2448-05	H1.25 square socket	0.2-0.6	0.02-0.06	0.18-0.54	20-1000	2.40	44.90
YM-ZN-008NLK-2.4ZQX	YM-NDC-2448-05	H1.25 square socket	0.2-0.6	0.02-0.06	0.18-0.54	20-1000	2.40	44.90
YM-ZN-025-ZQX	YM-2448-05	Hex 1.8 socket	0.5-1.5	0.05-0.15	0.45-1.35	20-1000	4	44.8
YM-ZN-025NLK-ZQX	YM-NDC-2448-05	Hex 1.8 socket	0.5-1.5	0.05-0.15	0.45-1.35	20-1000	4	44.8
YM-ZN-050-ZQX	YM-2448-105	Hex 1.8 socket	1-3	0.1-0.3	0.9-2.7	20-1000	4	44.8
YM-ZN-050NLK-ZQX	YM-NDC-2448-105	Hex 1.8 socket	1-3	0.1-0.3	0.9-2.7	20-1000	4	44.8
YM-ZN-150-ZQX	YM-2448-10	φ4 Half moon	5-10	0.5-1	4.5-9	20-1000	5	48.8
YM-ZN-150NLK-ZQX	YM-NDC-2448-10	φ4 Half moon	5-10	0.5-1	4.5-9	20-1000	5	48.8
YM-ZN-250-ZQX	YM-2448-10	Hex 2.8 socket	8-15	0.8-1.5	7.2-13.5	50-800	5	48.8

# Smart Screwdriver Controller

## ● Serial Port



- Modbus RTU standard protocol, interface transmission rate ≈ 11.5kb/s
- Curve data can be captured, 400 groups of curve data points.
- Result data can be stored, data storage capacity of 200,000 groups.
- Torque angle control
- Total angles detection
- Engagement performance detection
- Multi-task, multi-zone tightening



Model	YM-2448-05	YM-2448-105	YM-2448-510	YM-2448-10	YM-2448-05-V1
Input Voltage	AC 100V / 240V				
Input Frequency	50/60HZ				
Input Current	2.5A		3.5A		2.5A
Output Voltage	DC 24V		DC 48V		DC 24V
Output Current	5A		10A		5A
Power	120W		480W		120W
Dimensions(mm)	153*44*105				
Weight(g)	1.42				
Communication Port	RS485/RS232/DB15I/O				

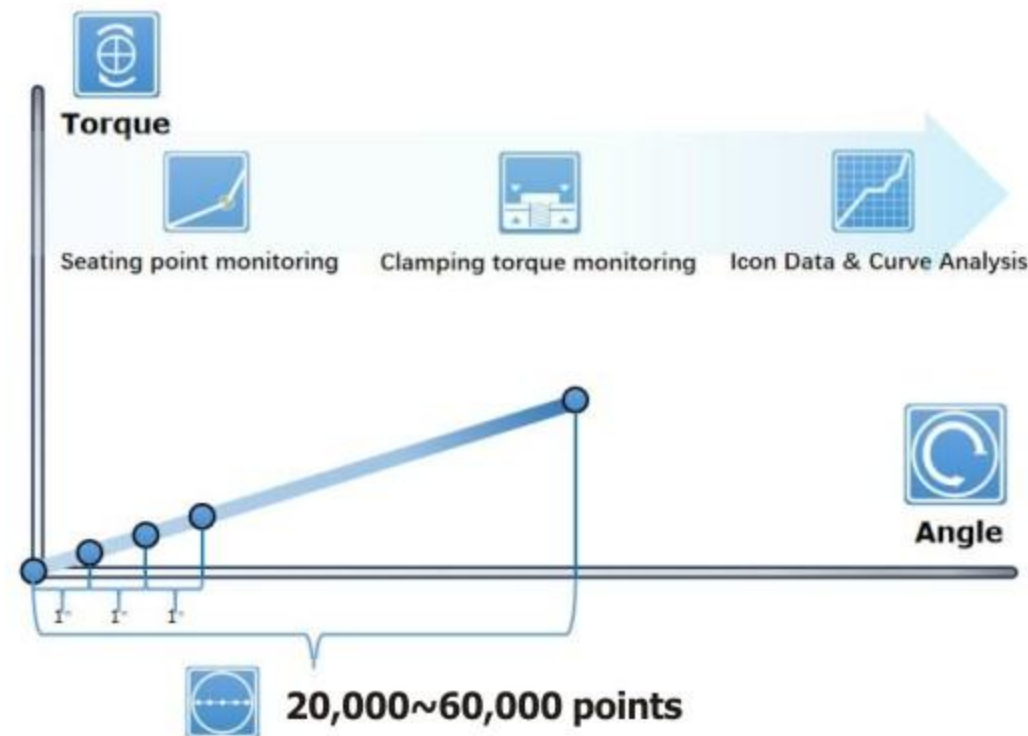
Main Parameters & Functions		
Model	2448 series / V1	NDC series / AT-NDC series / V2
Number of Preset tasks	16	16
Multi-step tightening	✓	✓
Number of tightening steps	6	6
Torque and angle control	✓	✓
Engagement	✓	✓
Angle	✓	✓
Torque	✓	✓
Damaged thread detection	✗	✓
Controller data storage	✓	✓
Results - data storage	200,000	1,000,000
Curve - data storage	✗	✓
Download results via communication	✓	✓
Real-time curve analysis	✗	✓
Save curves via software	✓	✓
Automatic curve saving via software	✓	✓
Configurable digital I/O	✓	✓
Communication protocols	Modbus RTU	Modbus RTU / Modbus UDP
Password protection	✓	✓
Clamping torque control strategy	✗	✓
Clamping torque monitoring strategy	✗	✓

# Smart Screwdriver Controller

## ● NET Port



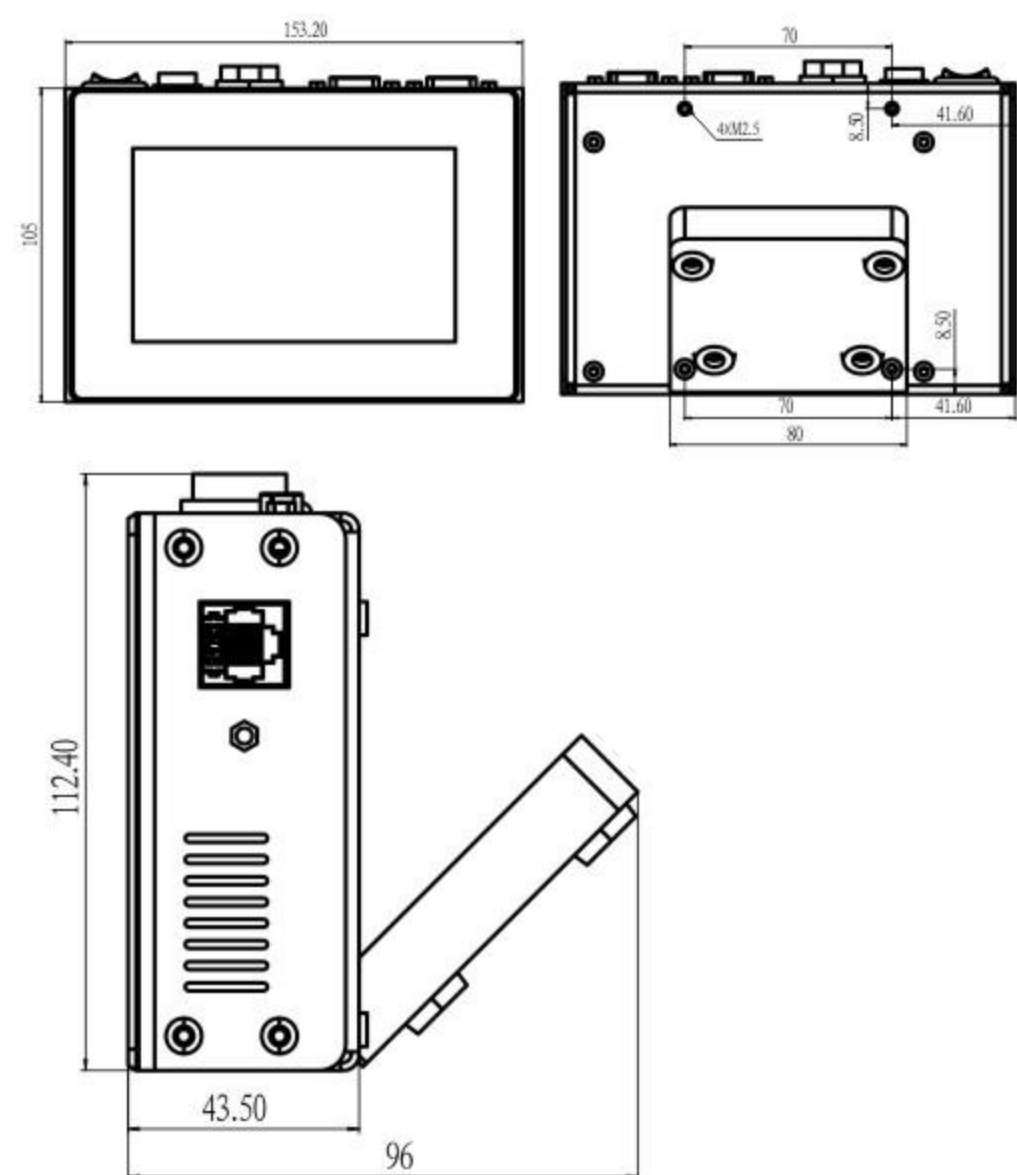
- Improve data volume & curve resolution.
- Meticulously capture more precise details of the tightening process bringing more accurate fit point data.
- Automatically detect The fit point and clamping torque resolving failures such as floating nails, slipping teeth and insufficient torque.



- Modbus RTU, Modbus UDP protocol, interface transmission rate supports 10MB/100MB
- Curve data can be captured up total 20,000 groups.
- Result data can be stored up of 1,000,000 groups.
- Torque angle control
- Total angles detection
- Multi-tasking, multi-zone tightening
- Engagement detection
- Seating point monitoring
- Clamping torque determination
- Clamping angle determination

Model	YM-NDC-2448-05	YMAT-NDC-2448-05	YM-NDC-2448-105	YMAT-NDC-2448-105	YM-NDC-2448-510	YMAT-NDC-2448-510	YM-NDC-2448-10	YMAT-NDC-2448-10	YM-2448-05-V2
Input Voltage	AC 100V / 240V	AC 100V / 240V	AC 100V / 240V	AC 100V / 240V	AC 100V / 240V	AC 100V / 240V	AC 100V / 240V	AC 100V / 240V	AC 100V / 240V
Input Frequency	50/60HZ	50/60HZ	50/60HZ	50/60HZ	50/60HZ	50/60HZ	50/60HZ	50/60HZ	50/60HZ
Input Current	2.5A	2.5A	3.5A	3.5A	3.5A	3.5A	3.5A	3.5A	2.5A
Output Voltage	DC 48V	DC 48V	DC 48V	DC 48V	DC 48V	DC 48V	DC 48V	DC 48V	DC 24V
Output Current	5A	5A	10A	10A	10A	10A	10A	10A	5A
Power	120W	120W	480W	480W	480W	480W	480W	480W	120W
Dimensions(mm)	153*44*105	153*44*105	153*44*105	153*44*105	153*44*105	153*44*105	153*44*105	153*44*105	153*44*105
Weight(kg)	1.43	1.43	1.43	1.43	1.43	1.43	1.43	1.43	1.42
Communication Port	RS485/RS232/DB15I/O/RJ45/USB/SD	RS485/RS232/DB26I/O/RJ45/USBC/SD	RS485/RS232/32/DB15I/O/RJ45/USBC/SD	RS485/RS232/DB26I/O/RJ45/USBC/SD	RS485/RS232/DB15I/O/RJ45/USBC/SD	RS485/RS232/DB26I/O/RJ45/USBC/SD	RS485/RS232/DB15I/O/RJ45/USBC/SD	RS485/RS232/32/DB26I/O/RJ45/USBC/SD	RS485/RS232/DB15I/O/RJ45

## Dimension

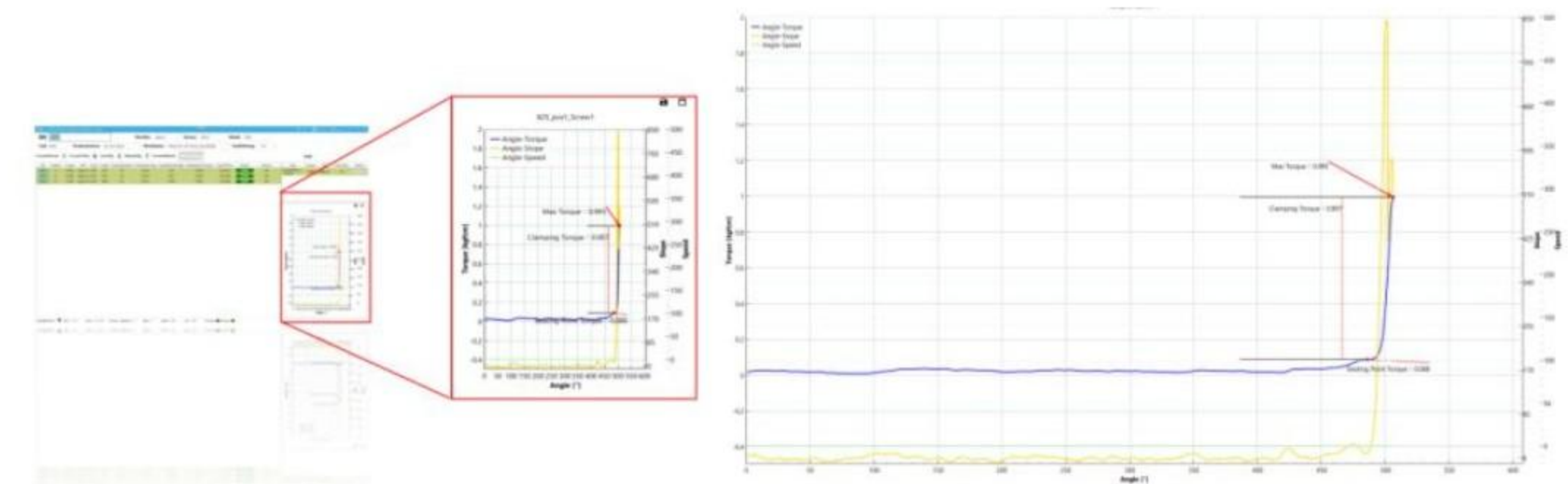


Main Parameters & Functions					
Model	2448 series / V1	NDC series / AT-NDC series / V2	Model	2448 series / V1	NDC series / AT-NDC series / V2
Number of Preset	16	16	Curve - data storage	X	✓
Multi-step tightening	✓	✓	Download results via communication	✓	✓
Number of tightening steps	6	6	Real-time curve analysis	X	✓
Torque and angle control	✓	✓	Save curves via software	✓	✓
Engagement	✓	✓	Automatic curve saving via software	✓	✓
Angle	✓	✓	Configurable digital I/O	✓	✓
Torque	✓	✓	Communication protocols	Modbus RTU	Modbus RTU / Modbus UDP
Damaged thread detection	X	✓	Password protection	✓	✓
Controller stores data results	✓	✓	Clamping torque control strategy	X	✓
Results - data storage	200,000	1,000,000	Clamping torque monitoring strategy	X	✓

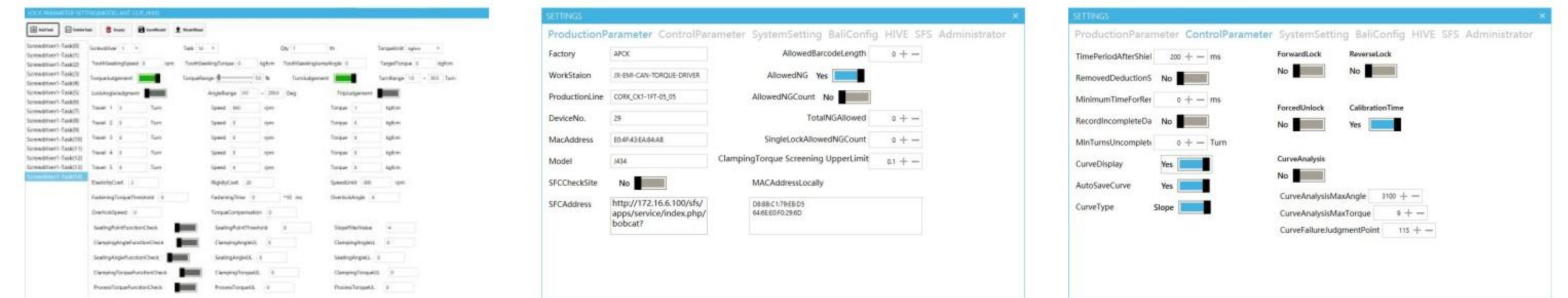
# Software

## ● YM-ZNTT Tools Talk

### Smart screwdriver terminal system for Data Collection, Interaction, and Analysis



Accurate torque curves, stable tightening results presented with voice prompt



Set up the parameters and tasks flexibly

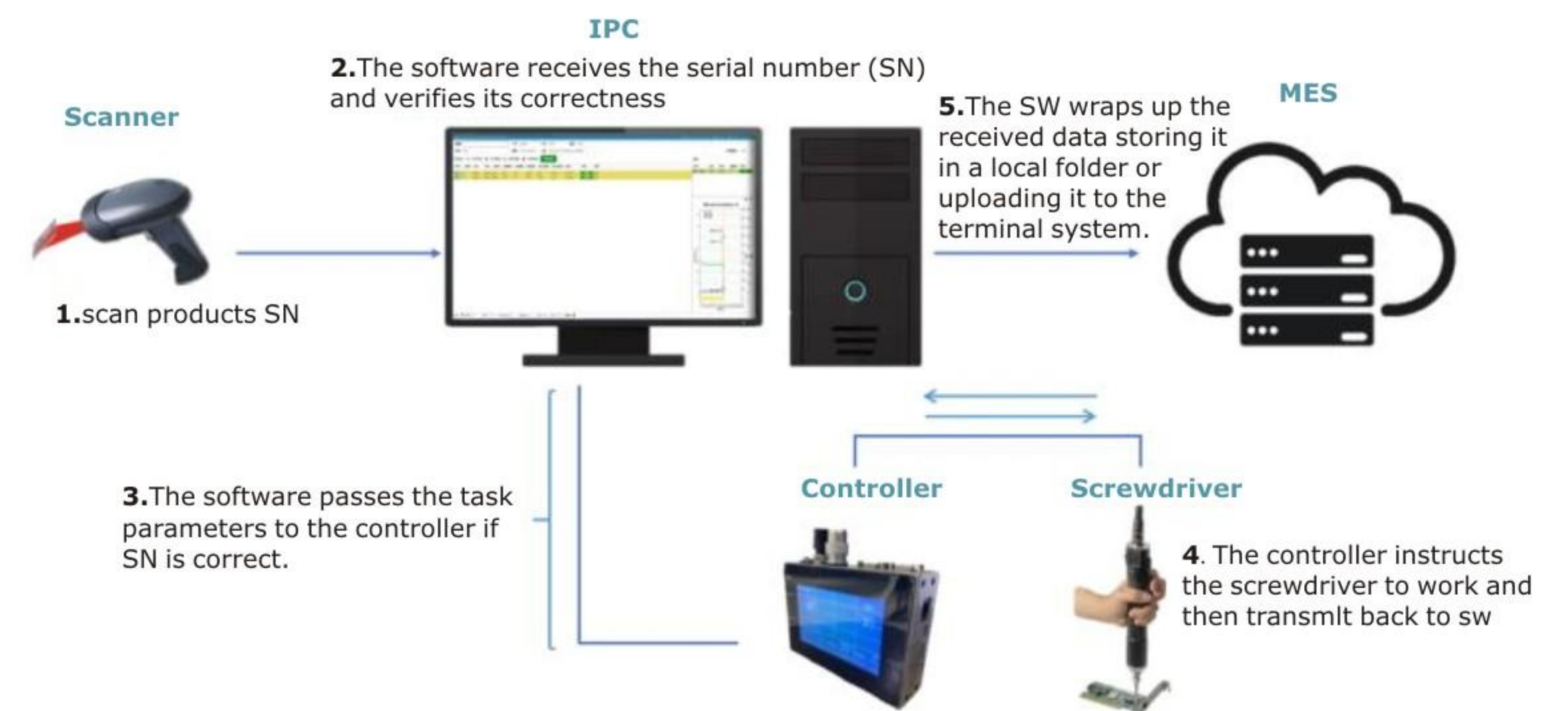
Support tasks switch and information bonding

Reduce human mis-operation maximally

### Trace all the operation data—Support real-time data uploaded onto MES

## Data Upload Logic

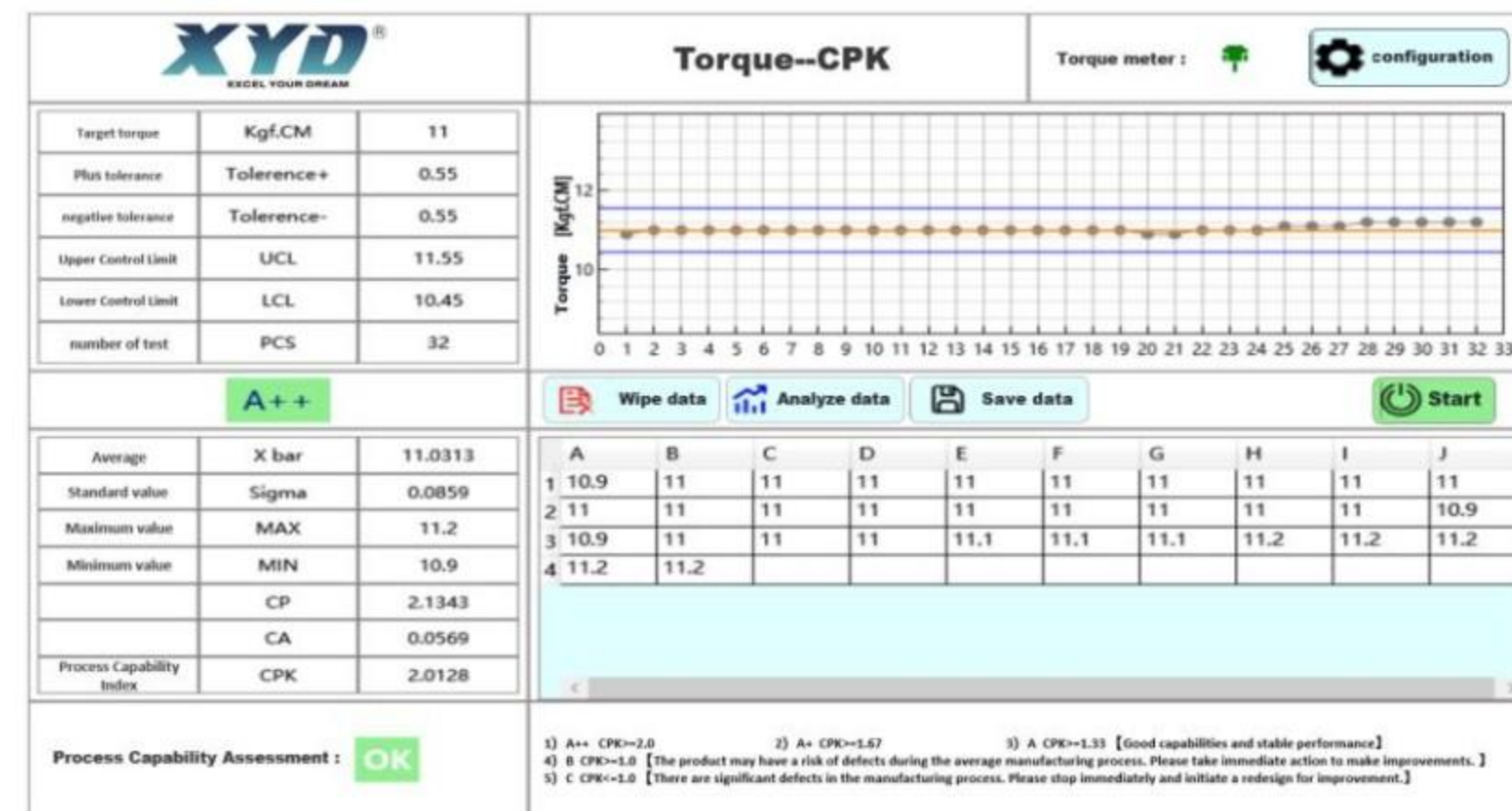
Install "LockSysApp" on the IPC to receive, store and transmit data.



# Software

## ● YM-TQTT Torque Testing Software

- Real-time torque recording
- Automatic calculation CPK value
- Easily export test results to report
- Visualize test data distribution and changes.



## screwdriver force calibration(FOR SALE)



DI-9M-08



CD-10M



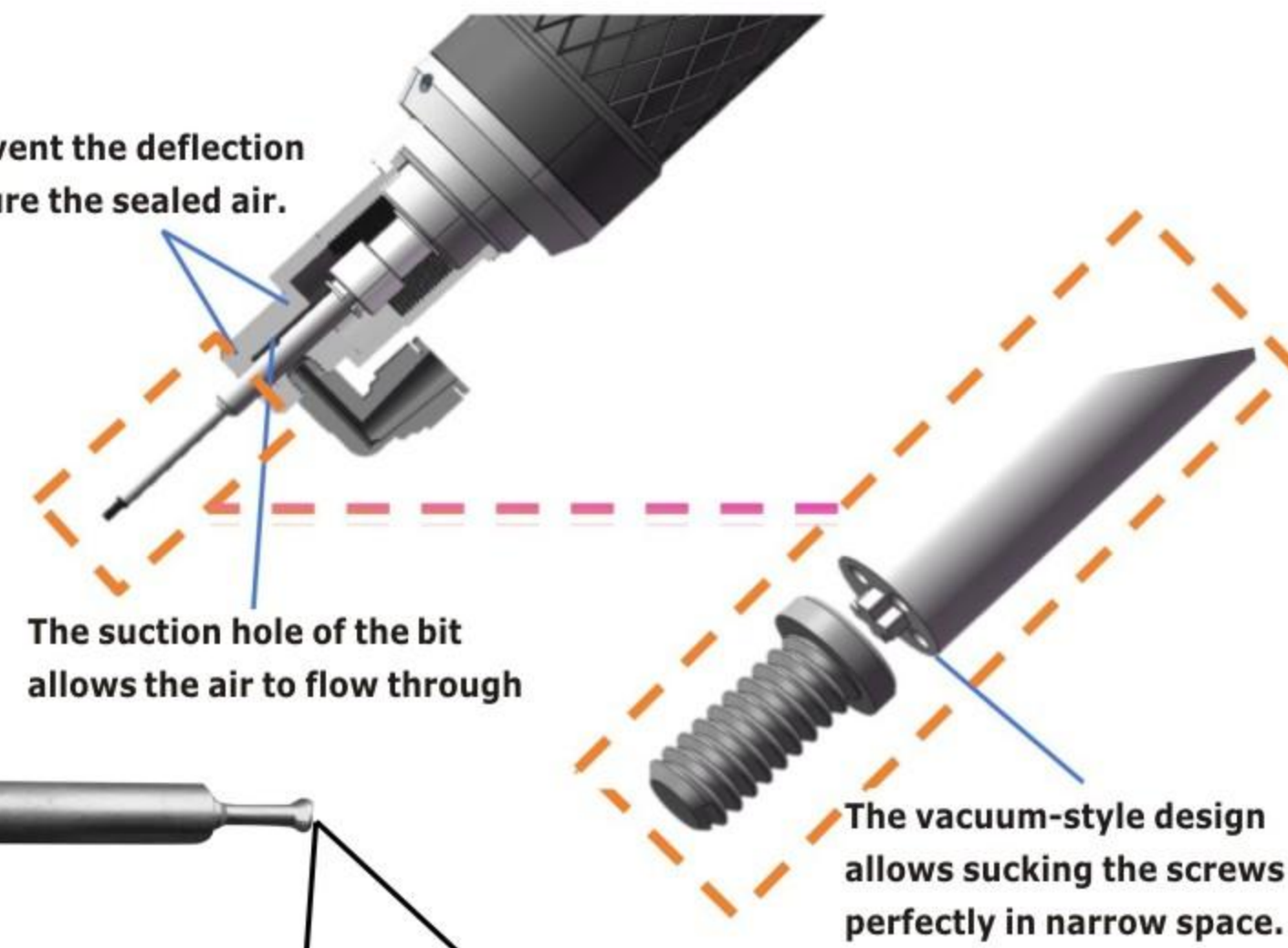
CD-100M

Model	DI-9M-08	CD-10M	CD-100M
Measurement range	2.0~800.0mN·m	0.010~1 N·m	0.10~10 N·m
	0.020~8.000 kgf·cm	0.10~10 kgf·cm	1.0~100 kgf·cm
	0.020~7.000 lbf·in	0.10~9 lbf·in	1.0~90 lbf·in
Accuracy	±0.5%(499 or less digit±3digit)	± 0.5%or±2digit	
Display	The 4 figures digital display of LCD		The 3.5 figures digital display of LCD
Measurement direction	CW-CCW(right and left)		
Measurement Mode	P-P (peak to peak)/T-R(track)/P-D (peak-down)/ C(Real-time Output)		
High and low limits judgment function	High and low values limits are adjustable and measurable. Up to 5 groups of data can be stored.		
Results judgment	It can perform results judgment within the setting.(in P-P mode) It confirms with lamp lighting or a buzzer.		
Maximum,minimum, and average value display	max.,min. Can be displayed and average value can be calculated based on 800 groups data at most.		
Real-time Output	Load torque value is captured every 1/180 second around (one change every 1/12 second)		
Data memory	800 groups of measurement data to be stored		
Data output	ASCII format (baud rate 19200)		
Automatic clear time	Zero indication is to be displayed In0.1-3.0 seconds(every 0.5 second interval) 0.0 second setup means manual clearance.		
One-touchclearance	Clearance adjustment can be done by one-touch		
Battery	Ni-MH /300 times or more charge life		
Autopower OFF	The machine will be powered off within 10 min idling automatically		
Chargetime/ Performance time	About 3 hr/About 12 hr at full charge		
Socket size	□20mm /□9.5mm		

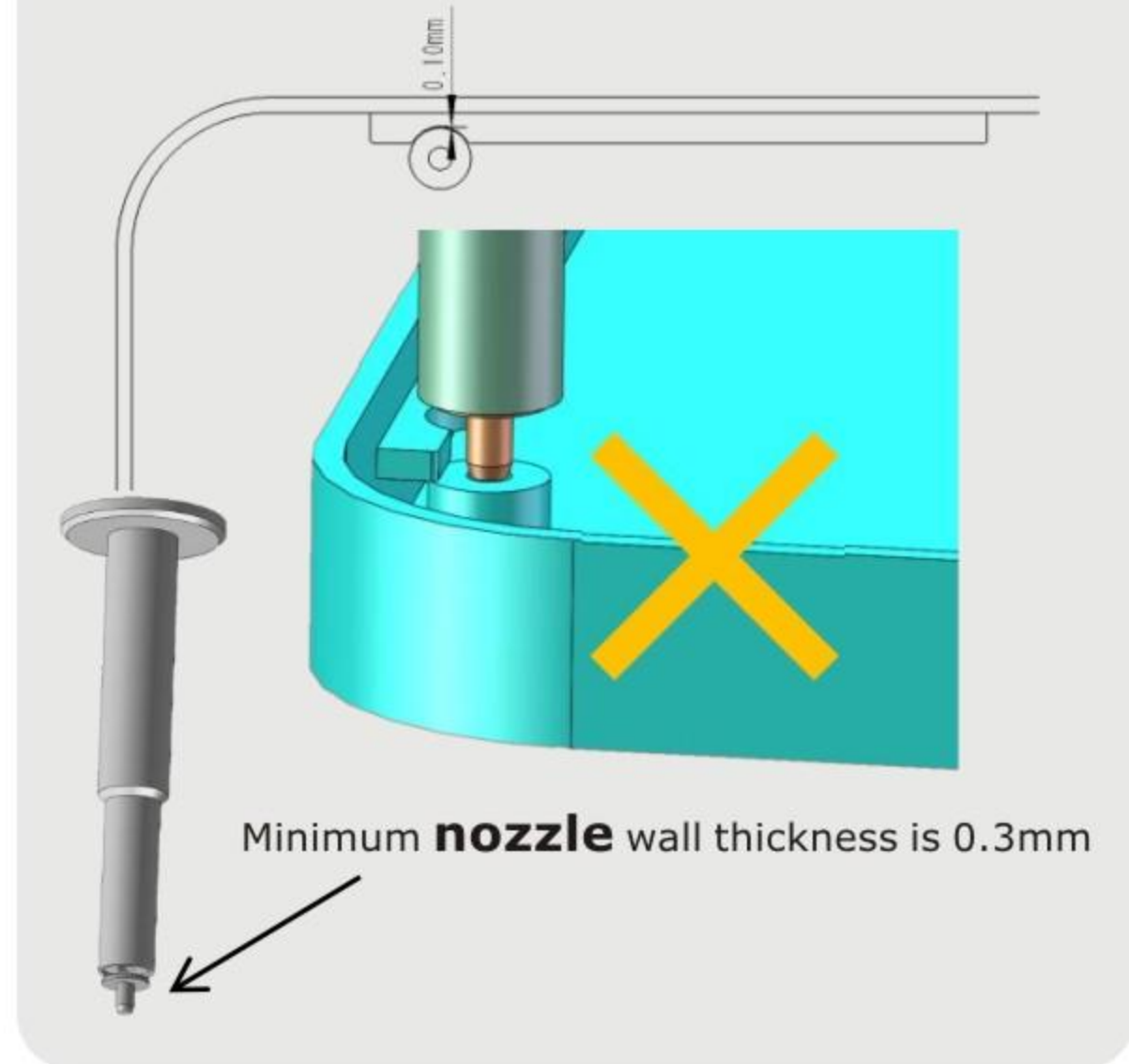
# Customized Bits

## ● Pneumatic Bits

Two bearings prevent the deflection of the bit and secure the sealed air.

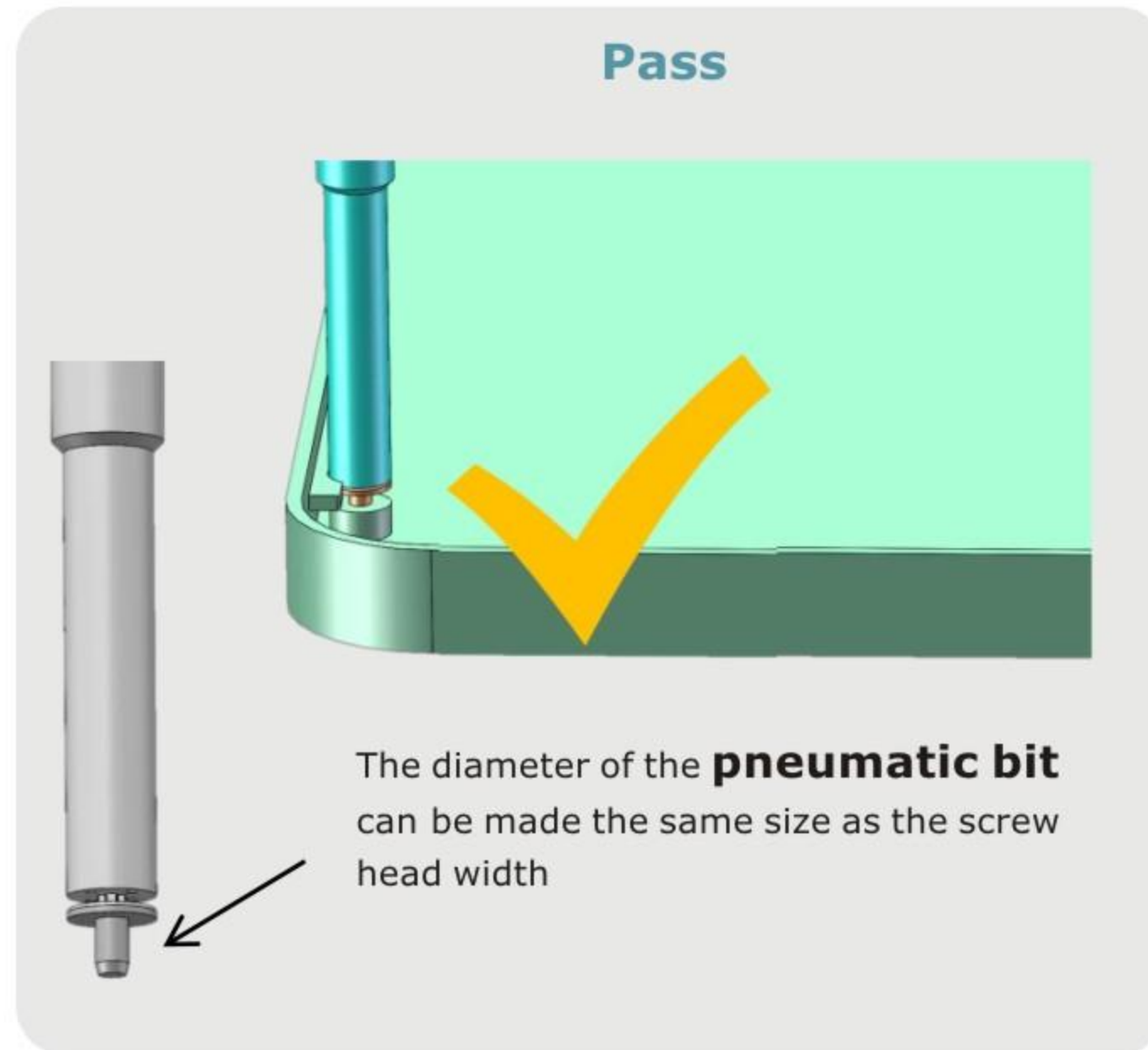


### Interference issues



VS

### Pass



D4x64x3.0x30xT5-QX



D4x64x4.0x20x6.0x20x5IP-QX



H4x90x3ULR-M-QX



L13x2.0x9x3ULR-M-QX(1)

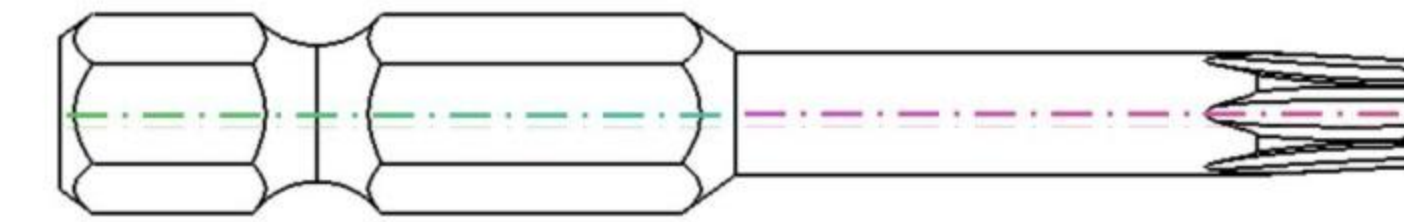
For more specifications, please submit your customization request with detailed requirements. (MOQ 10 pieces)

# Customized Bits

## Common features :

- Self-developed heat treatment process greatly prolongs the lifespan of the screwdriver bit.
- Made of imported S2 steel known for the high hardness and durability
- The flat surface at the front end of the bit ensures the screws are sucked precisely in a correctly vertical position.
- The deflection gap while rotating is  $\leq 0.1\text{mm}$ .

## ● Magnetic Bits



The concentricity of the bit is  $\leq 0.02\text{mm}$ .



HEX6.35X2.0X20X5P



HEX6.35x64x3.0x40x1#



HEX6.35x64x3.0x40x3IP



HEX6.35x64x3.0x40xT5



HEX6.35x90x8.0x30x9.0x30xH5.5



D4x44x1.4x20x00#



D4x44x4.0xT20



L35x2.0x28x3.0x3x4IP



D4x70x1.0x12x2.0x50x3ULR-M



H4x40x1.0x6x2.0x20x3ULR-M



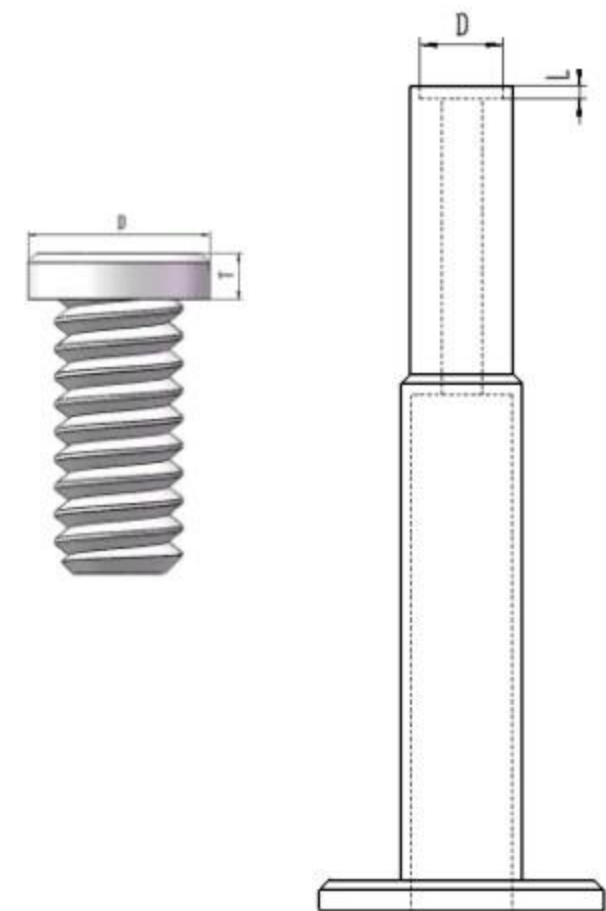
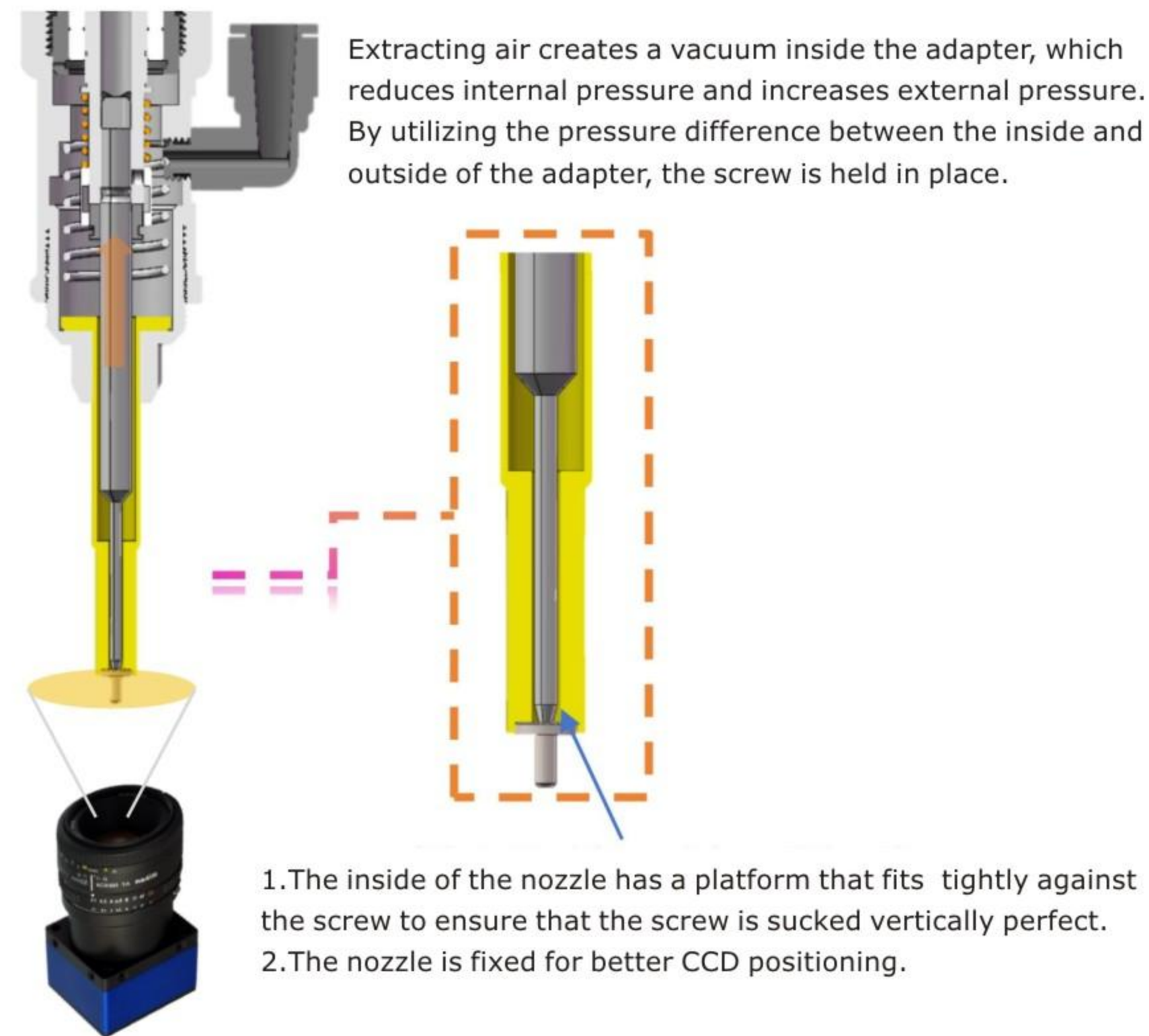
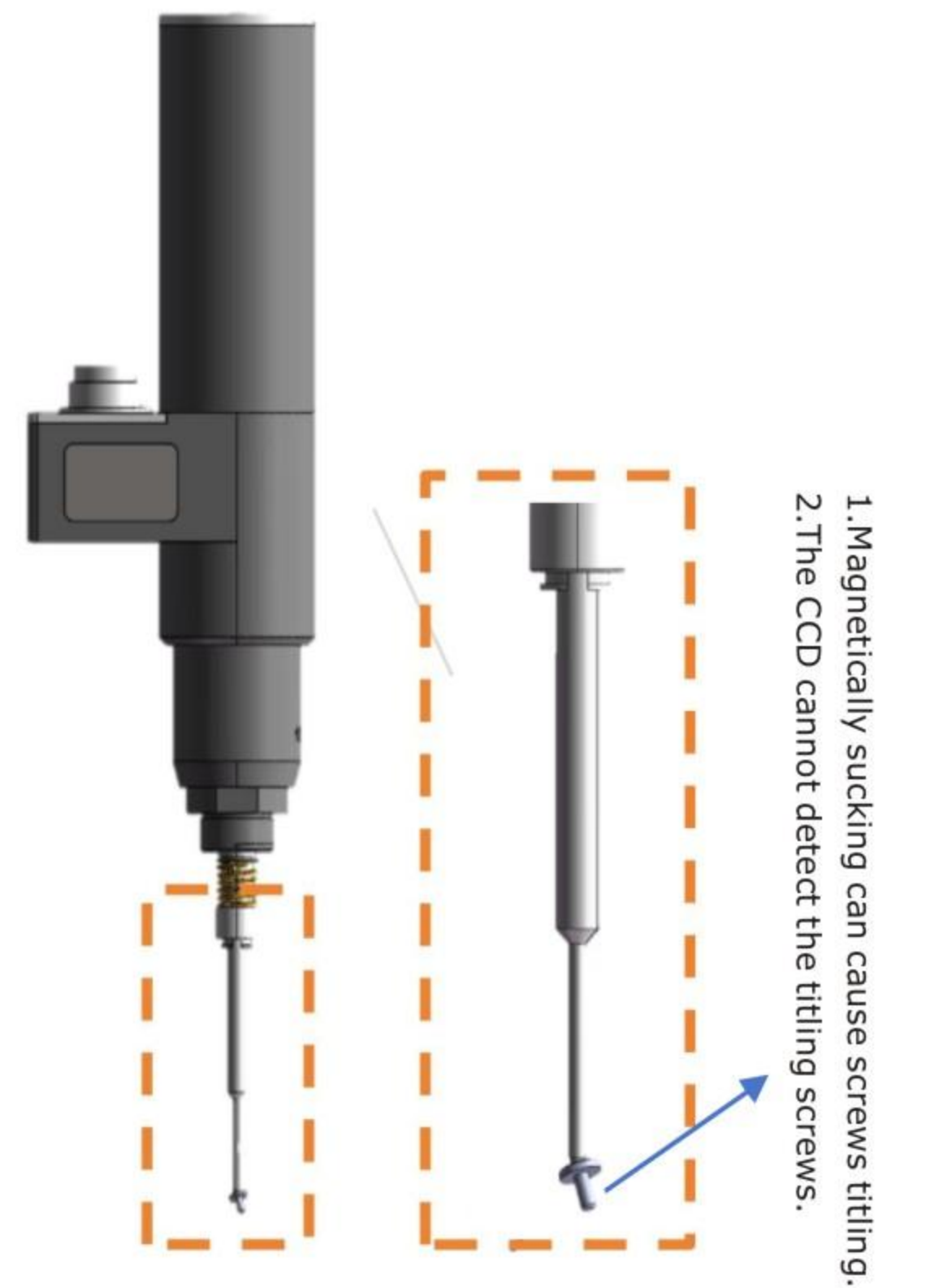
H4x40x3.0x20xT8



For more specifications, please submit your customization request with detailed requirements. (MOQ 10 pieces)

# Nozzle

- Made of sturdy and durable stainless steel 304 ensuring long-lasting lifespan.
- Press-and-release structure
- Perfect fitting with different screw dimensions and securing suction effect.



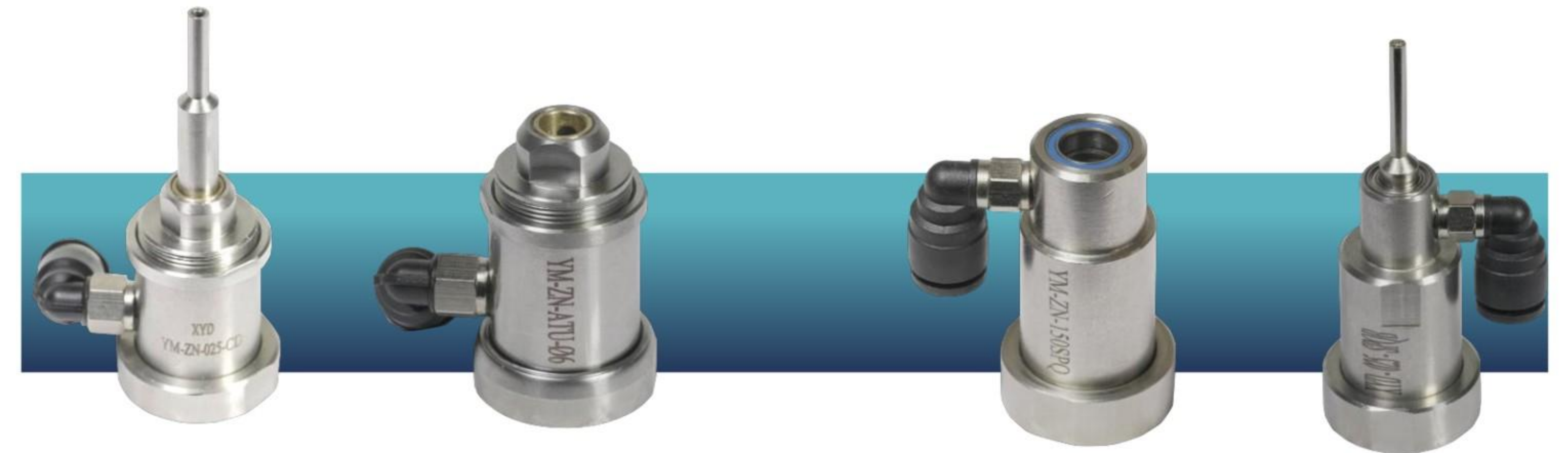
Nozzles are customized according to the size of the screws.

**For more specifications, please submit your customization request with detailed requirements. (MOQ 10 pieces)**

# Vacuum adapter

- Adapter for nozzle

- Adapter for vacuum bits

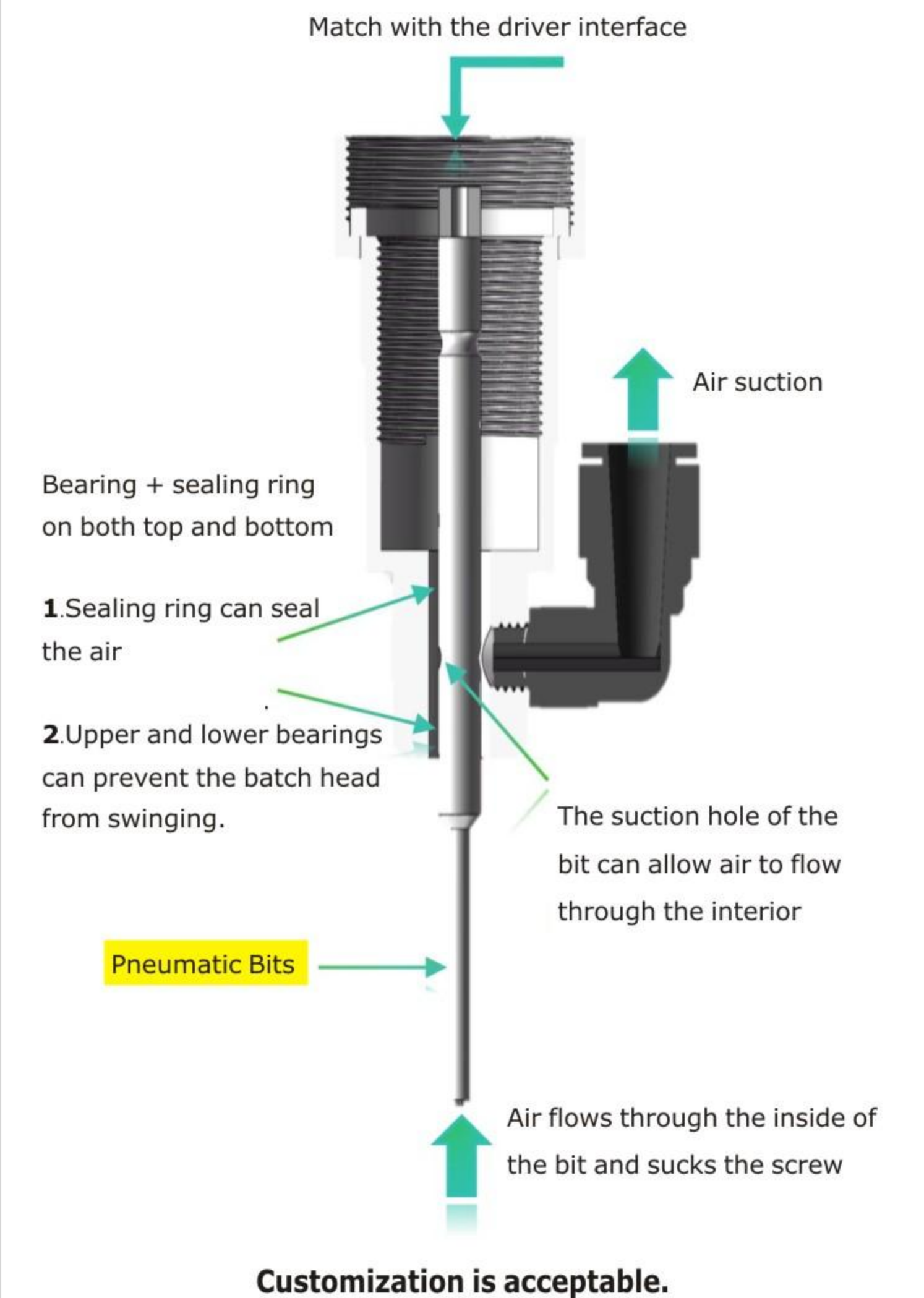
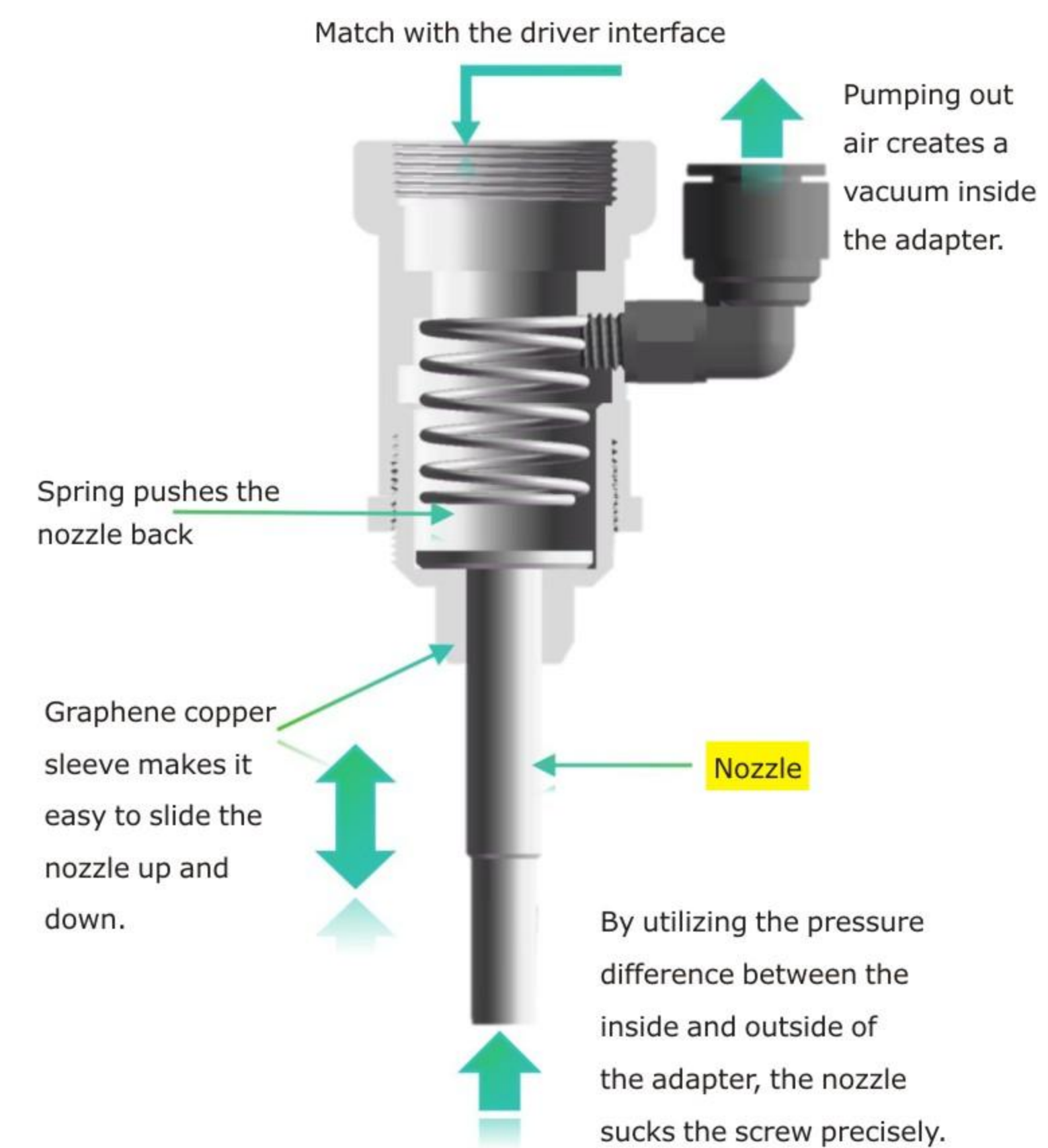


YM-ZN-025-CD

YM-ZN-ATU-φ6

YM-ZN-150SPQ

XYD-025-SPQ



# Spare parts

## ● YM-DT-8512 IPC

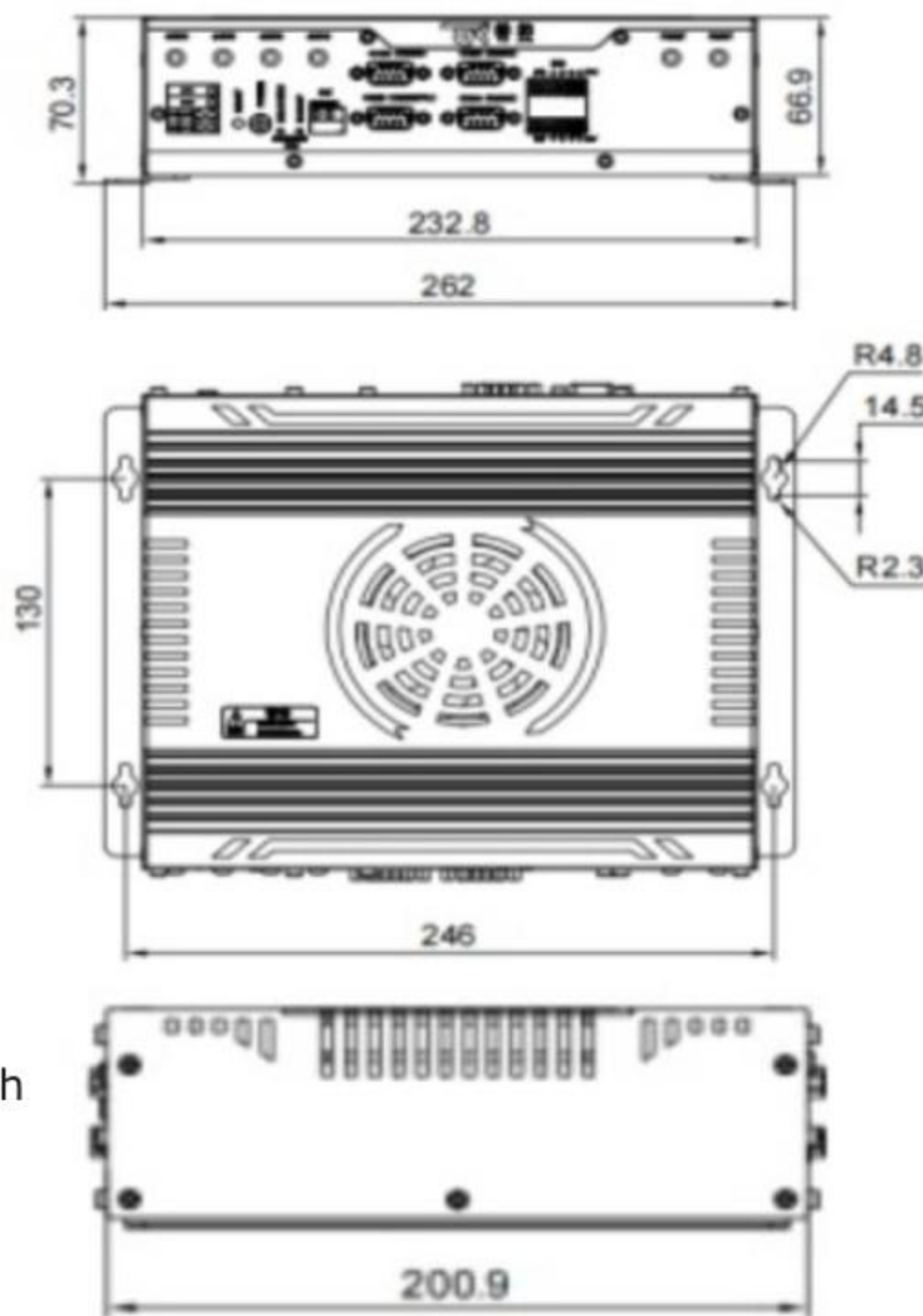


**Structure :** Excellent heat dissipation structure integrated with pure copper, aluminum alloy casing with a cooling fan;

Case with resistance against 6kv strong electromagnetic interference, DC12V-24V voltage input.



**High Performance :** Supporting 6/7/8/9th generation Intel Core i7/i5/i3 series processors with a power of 65W or below.



Processor	(Baseclock2.4GHz, TurboBoost4GHz, Six cores twelve threads)
65w CPU	I5-6400
Chipset	H310C
BIOS	AMI UEFI
Memory	8G
Display	Integrated Graphics(VGA+HDMI)
Expansion Slots	1*M.2 (KEY-B,3042/3052, USB3.0 signal support 4G/5G module) 1*MINI PCIE (full height, USB2.0 signal, WIFI module support)
Network Function	1 * Intel I219 (10/100/1000Mbps adaptive network port, support network wake-up) 3 * Intel I225 (10/100/1000/2500Mbps adaptive network port)
Storage	512G Solid State Drive
I/O Interfaces	1* VGA, 1* HDMI, 4*LAN 6*COM口 4*USB3.0 , 4*USB2.0 8*GPIO(4*GPI,4*GPO) 1 set of audio output interface; 1*MIC in,1* Line out,1*Line in 1* light switch button,1* restart button,1* remote switch,1* one key restore,1* one key backup,1* SIM slot,1* DC IN
Operation Temperature	-10°C~60°C,5%~95% (Non condensing state)
Storage Temperature	-20°C~75°C,5%~95% (Non condensing state)
Power Supply	DC12~24V, standard with 19V 123W power adapter
ESD	Contact 6Kv, Air gap 8Kv electromagnetic interference
Anti-vibration	GB/T2423.10
Housing material	Aluminum magnesium alloy, Galvanized Steel
Installation	Wall mounted, VESA Support
Operation system	Windows10
Size	232.8mm*66.9mm*200.9mm
Weight	2.5kg

More spec. details are available upon your inquiry.

# Spare parts

## ● Power adapter

### JLY2400500



### GJS330-4800500



Model	JLY2400500	GJS330-4800500
Input Voltage	100 - 240v	100 - 240v
Input Current	2.5A	3.5A
Output Voltage	DC24V	DC48V
Output Current	5A	10A
Output Power	120W	480W
Dimension(L*W*H) mm	175*70*35	201.5*90*55
Weight(kg)	0.75	1.66
Length(m)	3.40	3.45
Controller	YM-2448-05/YM-2448-105/YM-NDC-2448-105/YMAT-NDC-2448-05/YMAT-NDC-2448-105/YM-2448-05-V1	YM-2448-510/YM-2448-10/YM-NDC-2448-10/YMAT-NDC-2448-510/YMAT-NDC-2448-10

## ● Cable

### YM-ZN-C2.0

Total length:2m



### YM-ATU-C4.0

Total length:4m



### YM-ZNJJ-C2.0

Total length:2m

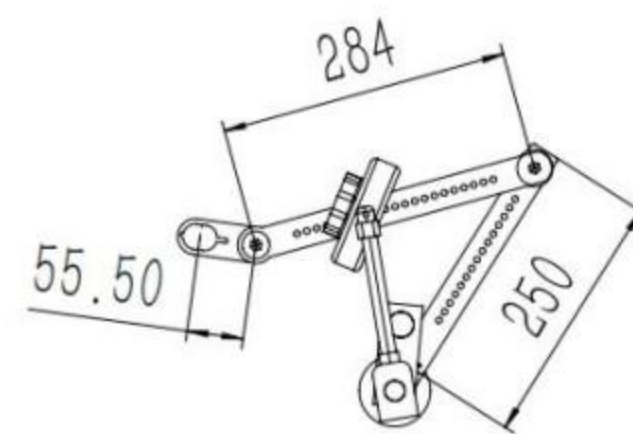
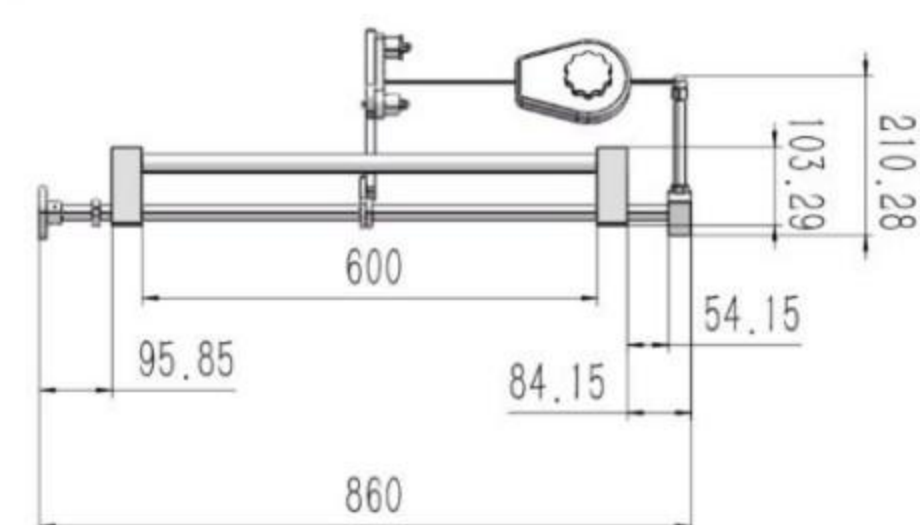


# Spare parts

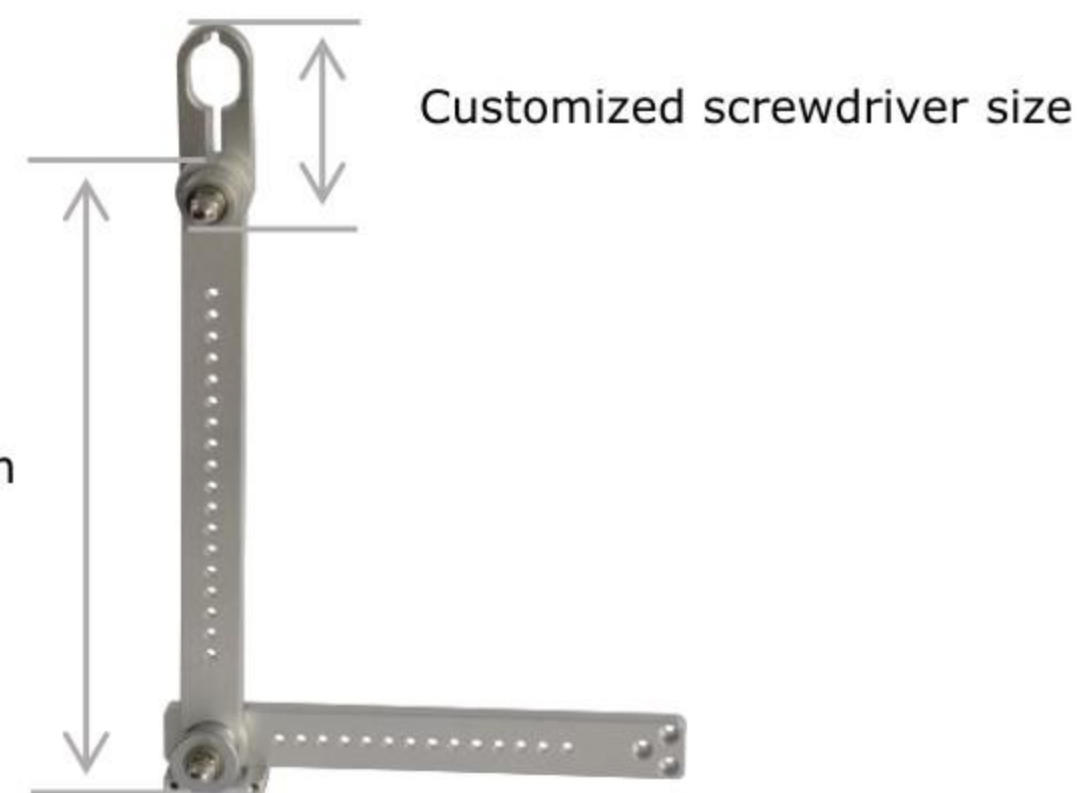
## ● Ergo Arm



Model	YM-ZBJ 50
Verticality	±5°
Operating stroke	500mm
Maximum load	5kg
Weight	5.4kg



Customized length



## ● Offset gearbox



# Spare parts

## ● Bits(Normal type)

Ø4Half moon-D				
IP type	IPR type	T type	P Type	Phillips
D * L * d * e * head	D * L * d * e * head	D * L * d * e * head	D * L * d * e * head	D * L * d * e * head
D4 *44* 1.5 * 20 * 1IP	D4 *44* 1.5 * 20 * 1IPR	D4 *44* 1.5 * 20 * T1	D4 * 44 * 2.0 * 20 * 5P	D4 * 44 * 1.2 * 20 * 00#
D4 *44* 1.5 * 20 * 2IP	D4 *44* 1.5 * 20 * 2IPR	D4 *44* 1.5 * 20 * T2	D4 * 64 * 2.0 * 20 * 5P	D4 * 44 * 1.2 * 20 * 0#
D4 *44* 1.5 * 20 * 3IP	D4 *44* 1.5 * 20 * 3IPR	D4 *44* 1.5 * 20 * T3	Hexagonal	D4 * 44 * 1.5 * 20 * 0#
D4 *44* 1.5 * 20 * 4IP	D4 *44* 1.5 * 20 * 4IPR	D4 *44* 1.5 * 20 * T4		D4 * 44 * 1.7 * 20 * 0#
D4 *44* 2.0 * 20 * 5IP	D4 *44* 2.0 * 20 * 5IPR	D4 *44* 2.0 * 20 * T5	D * L * d * e * head	D4 * 44 * 2.0 * 20 * 1#
D4 *44* 2.0 * 20 * 6IP	D4 *44* 2.0 * 20 * 6IPR	D4 *44* 2.0 * 20 * T6		D4 * 64 * 1.2 * 20 * 00#
D4 *44* 2.0 * 20 * 7IP	D4 *44* 2.0 * 20 * 7IPR	D4 *44* 2.0 * 20 * T7	D4 * 44 * 1.5 * 20 * H1.0	D4 * 64 * 1.2 * 20 * 0#
D4 *44* 3.0 * 20 * 8IP	D4 *44* 3.0 * 20 * 8IPR	D4 *44* 3.0 * 20 * T8	D4 * 44 * 2.0 * 20 * H1.5	D4 * 64 * 1.5 * 20 * 0#
D4 *44* 3.0 * 20 * 10IP	D4 *44* 3.0 * 20 * 10IPR	D4 *44* 3.0 * 20 * T10	D4 * 44 * 3.0 * 20 * H2.0	D4 * 64 * 1.7 * 20 * 0#
D4 *44* 3.5 * 20 * 15IP	D4 *44* 3.5 * 20 * 15IPR	D4 *44* 3.5 * 20 * T15	D4 * 44 * 4.0 * 20 * H2.5	D4 * 64 * 2.0 * 20 * 1#
D4 *44* 4.0 * 20 * 20IP	D4 *44* 4.0 * 20 * 20IPR	D4 *44* 4.0 * 20 * T20	D4 * 64 * 1.5 * 20 * H1.0	\
D4 *64* 1.5 * 20 * 1IP	D4 *64* 1.5 * 20 * 1IPR	D4 *64* 1.5 * 20 * T1	D4 * 64 * 2.0 * 20 * H1.5	\
D4 *64* 1.5 * 20 * 2IP	D4 *64* 1.5 * 20 * 2IPR	D4 *64* 1.5 * 20 * T2	D4 * 64 * 3.0 * 20 * H2.0	\
D4 *64* 1.5 * 20 * 3IP	D4 *64* 1.5 * 20 * 3IPR	D4 *64* 1.5 * 20 * T3	D4 * 64 * 4.0 * 20 * H2.5	\
D4 *64* 1.5 * 20 * 4IP	D4 *64* 1.5 * 20 * 4IPR	D4 *64* 1.5 * 20 * T4	\	\
D4 *64* 2.0 * 20 * 5IP	D4 *64* 2.0 * 20 * 5IPR	D4 *64* 2.0 * 20 * T5	\	\
D4 *64* 2.0 * 20 * 6IP	D4 *64* 2.0 * 20 * 6IPR	D4 *64* 2.0 * 20 * T6	\	\
D4 *64* 2.0 * 20 * 7IP	D4 *64* 2.0 * 20 * 7IPR	D4 *64* 2.0 * 20 * T7	\	\
D4 *64* 3.0 * 20 * 8IP	D4 *64* 3.0 * 20 * 8IPR	D4 *64* 3.0 * 20 * T8	\	\
D4 *64* 3.0 * 20 * 10IP	D4 *64* 3.0 * 20 * 10IPR	D4 *64* 3.0 * 20 * T10	\	\
D4 *64* 3.5 * 20 * 15IP	D4 *64* 3.5 * 20 * 15IPR	D4 *64* 3.5 * 20 * T15	\	\
D4 *64* 4.0 * 20 * 20IP	D4 *64* 4.0 * 20 * 20IPR	D4 *64* 4.0 * 20 * T20	\	\

# Spare parts

## ● Bits(Normal type)

Ø4Hios-Ø	IP type	IPR type	T type	P Type	Phillips
D * L * d * e * head	D * L * d * e * head	D * L * d * e * head	D * L * d * e * head	D * L * d * e * head	D * L * d * e * head
Ø4 * 40 * 1.5 * 20 * 1IP	Ø4 * 40 * 1.5 * 20 * 1IPR	Ø4 * 40 * 1.5 * 20 * T1	Ø4 * 40 * 2.0 * 20 * 5P	Ø4 * 40 * 1.2 * 20 * 00#	
Ø4 * 40 * 1.5 * 20 * 2IP	Ø4 * 40 * 1.5 * 20 * 2IPR	Ø4 * 40 * 1.5 * 20 * T2	Ø4 * 60 * 2.0 * 20 * 5P	Ø4 * 40 * 1.2 * 20 * 0#	
Ø4 * 40 * 1.5 * 20 * 3IP	Ø4 * 40 * 1.5 * 20 * 3IPR	Ø4 * 40 * 1.5 * 20 * T3	<b>Hexagonal</b>	Ø4 * 40 * 1.5 * 20 * 0#	
Ø4 * 40 * 1.5 * 20 * 4IP	Ø4 * 40 * 1.5 * 20 * 4IPR	Ø4 * 40 * 1.5 * 20 * T4		Ø4 * 40 * 1.7 * 20 * 0#	
Ø4 * 40 * 2.0 * 20 * 5IP	Ø4 * 40 * 2.0 * 20 * 5IPR	Ø4 * 40 * 2.0 * 20 * T5		Ø4 * 40 * 2.0 * 20 * 1#	
Ø4 * 40 * 2.0 * 20 * 6IP	Ø4 * 40 * 2.0 * 20 * 6IPR	Ø4 * 40 * 2.0 * 20 * T6	D * L * d * e * head	Ø4 * 60 * 1.2 * 20 * 00#	
Ø4 * 40 * 2.0 * 20 * 7IP	Ø4 * 40 * 2.0 * 20 * 7IPR	Ø4 * 40 * 2.0 * 20 * T7	Ø4 * 40 * 1.5 * 20 * H1.0	Ø4 * 60 * 1.2 * 20 * 0#	
Ø4 * 40 * 3.0 * 20 * 8IP	Ø4 * 40 * 3.0 * 20 * 8IPR	Ø4 * 40 * 3.0 * 20 * T8	Ø4 * 40 * 2.0 * 20 * H1.5	Ø4 * 60 * 1.5 * 20 * 0#	
Ø4 * 40 * 3.0 * 20 * 10IP	Ø4 * 40 * 3.0 * 20 * 10IPR	Ø4 * 40 * 3.0 * 20 * T10	Ø4 * 40 * 3.0 * 20 * H2.0	Ø4 * 60 * 1.7 * 20 * 0#	
Ø4 * 40 * 3.5 * 20 * 15IP	Ø4 * 40 * 3.5 * 20 * 15IPR	Ø4 * 40 * 3.5 * 20 * T15	Ø4 * 40 * 4.0 * 20 * H2.5	Ø4 * 60 * 2.0 * 20 * 1#	
Ø4 * 40 * 4.0 * 20 * 20IP	Ø4 * 40 * 4.0 * 20 * 20IPR	Ø4 * 40 * 4.0 * 20 * T20	Ø4 * 60 * 1.5 * 20 * H1.0	\	
Ø4 * 60 * 1.5 * 20 * 1IP	Ø4 * 60 * 1.5 * 20 * 1IPR	Ø4 * 60 * 1.5 * 20 * T1	Ø4 * 60 * 2.0 * 20 * H1.5	\	
Ø4 * 60 * 1.5 * 20 * 2IP	Ø4 * 60 * 1.5 * 20 * 2IPR	Ø4 * 60 * 1.5 * 20 * T2	Ø4 * 60 * 3.0 * 20 * H2.0	\	
Ø4 * 60 * 1.5 * 20 * 3IP	Ø4 * 60 * 1.5 * 20 * 3IPR	Ø4 * 60 * 1.5 * 20 * T3	Ø4 * 60 * 4.0 * 20 * H2.5	\	
Ø4 * 60 * 1.5 * 20 * 4IP	Ø4 * 60 * 1.5 * 20 * 4IPR	Ø4 * 60 * 1.5 * 20 * T4	\	\	
Ø4 * 60 * 2.0 * 20 * 5IP	Ø4 * 60 * 2.0 * 20 * 5IPR	Ø4 * 60 * 2.0 * 20 * T5	\	\	
Ø4 * 60 * 2.0 * 20 * 6IP	Ø4 * 60 * 2.0 * 20 * 6IPR	Ø4 * 60 * 2.0 * 20 * T6	\	\	
Ø4 * 60 * 2.0 * 20 * 7IP	Ø4 * 60 * 2.0 * 20 * 7IPR	Ø4 * 60 * 2.0 * 20 * T7	\	\	
Ø4 * 60 * 3.0 * 20 * 8IP	Ø4 * 60 * 3.0 * 20 * 8IPR	Ø4 * 60 * 3.0 * 20 * T8	\	\	
Ø4 * 60 * 3.0 * 20 * 10IP	Ø4 * 60 * 3.0 * 20 * 10IPR	Ø4 * 60 * 3.0 * 20 * T10	\	\	
Ø4 * 60 * 3.5 * 20 * 15IP	Ø4 * 60 * 3.5 * 20 * 15IPR	Ø4 * 60 * 3.5 * 20 * T15	\	\	
Ø4 * 60 * 4.0 * 20 * 20IP	Ø4 * 60 * 4.0 * 20 * 20IPR	Ø4 * 60 * 4.0 * 20 * T20	\	\	

# Spare parts

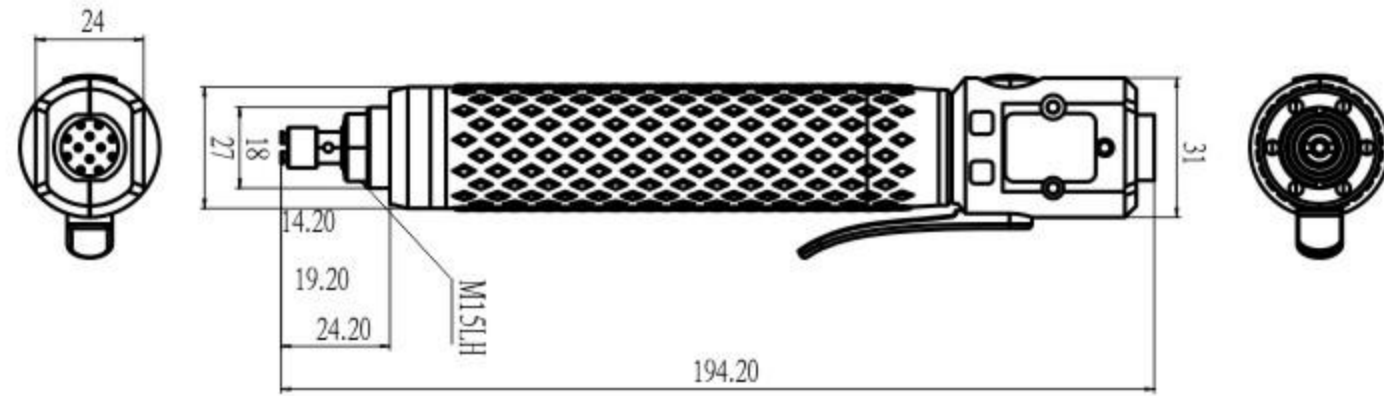
## ● Bits(Normal type)

HEX6.35—SH1/4	IP type	IPR type	T type	P Type	Phillips
D * L * d * e * head	D * L * d * e * head	D * L * d * e * head	D * L * d * e * head	D * L * d * e * head	D * L * d * e * head
SH1/4 * 44 * 1.5 * 20 * 1IP	SH1/4 * 44 * 1.5 * 20 * 1IPR	SH1/4 * 44 * 1.5 * 20 * T1	SH1/4 * 44 * 2.0 * 20 * 5P	SH1/4 * 44 * 1.2 * 20 * 00#	
SH1/4 * 44 * 1.5 * 20 * 2IP	SH1/4 * 44 * 1.5 * 20 * 2IPR	SH1/4 * 44 * 1.5 * 20 * T2	SH1/4 * 64 * 2.0 * 20 * 5P	SH1/4 * 44 * 1.2 * 20 * 0#	
SH1/4 * 44 * 1.5 * 20 * 3IP	SH1/4 * 44 * 1.5 * 20 * 3IPR	SH1/4 * 44 * 1.5 * 20 * T3	<b>Hexagonal</b>	SH1/4 * 44 * 1.5 * 20 * 0#	
SH1/4 * 44 * 1.5 * 20 * 4IP	SH1/4 * 44 * 1.5 * 20 * 4IPR	SH1/4 * 44 * 1.5 * 20 * T4		SH1/4 * 44 * 1.7 * 20 * 0#	
SH1/4 * 44 * 2.0 * 20 * 5IP	SH1/4 * 44 * 2.0 * 20 * 5IPR	SH1/4 * 44 * 2.0 * 20 * T5		SH1/4 * 44 * 2.0 * 20 * 1#	
SH1/4 * 44 * 2.0 * 20 * 6IP	SH1/4 * 44 * 2.0 * 20 * 6IPR	SH1/4 * 44 * 2.0 * 20 * T6	D * L * d * e * head	SH1/4 * 64 * 1.2 * 20 * 00#	
SH1/4 * 44 * 2.0 * 20 * 7IP	SH1/4 * 44 * 2.0 * 20 * 7IPR	SH1/4 * 44 * 2.0 * 20 * T7	SH1/4 * 44 * 1.5 * 20 * H1.0	SH1/4 * 64 * 1.2 * 20 * 0#	
SH1/4 * 44 * 3.0 * 20 * 8IP	SH1/4 * 44 * 3.0 * 20 * 8IPR	SH1/4 * 44 * 3.0 * 20 * T8	SH1/4 * 44 * 2.0 * 20 * H1.5	SH1/4 * 64 * 1.5 * 20 * 0#	
SH1/4 * 44 * 3.0 * 20 * 10IP	SH1/4 * 44 * 3.0 * 20 * 10IPR	SH1/4 * 44 * 3.0 * 20 * T10	SH1/4 * 44 * 3.0 * 20 * H2.0	SH1/4 * 64 * 1.7 * 20 * 0#	
SH1/4 * 44 * 3.5 * 20 * 15IP	SH1/4 * 44 * 3.5 * 20 * 15IPR	SH1/4 * 44 * 3.5 * 20 * T15	SH1/4 * 44 * 4.0 * 20 * H2.5	SH1/4 * 64 * 2.0 * 20 * 1#	
SH1/4 * 44 * 4.0 * 20 * 20IP	SH1/4 * 44 * 4.0 * 20 * 20IPR	SH1/4 * 44 * 4.0 * 20 * T20	SH1/4 * 64 * 1.5 * 20 * H1.0	\	
SH1/4 * 64 * 1.5 * 20 * 1IP	SH1/4 * 64 * 1.5 * 20 * 1IPR	SH1/4 * 64 * 1.5 * 20 * T1	SH1/4 * 64 * 2.0 * 20 * H1.5	\	
SH1/4 * 64 * 1.5 * 20 * 2IP	SH1/4 * 64 * 1.5 * 20 * 2IPR	SH1/4 * 64 * 1.5 * 20 * T2	SH1/4 * 64 * 3.0 * 20 * H2.0	\	
SH1/4 * 64 * 1.5 * 20 * 3IP	SH1/4 * 64 * 1.5 * 20 * 3IPR	SH1/4 * 64 * 1.5 * 20 * T3	SH1/4 * 64 * 4.0 * 20 * H2.5	\	
SH1/4 * 64 * 1.5 * 20 * 4IP	SH1/4 * 64 * 1.5 * 20 * 4IPR	SH1/4 * 64 * 1.5 * 20 * T4	SH1/4 * 64 * 4.0 * 20 * H3.0	\	
SH1/4 * 64 * 2.0 * 20 * 5IP	SH1/4 * 64 * 2.0 * 20 * 5IPR	SH1/4 * 64 * 2.0 * 20 * T5	SH1/4 * 64 * 4.0 * 20 * H4.0	\	
SH1/4 * 64 * 2.0 * 20 * 6IP	SH1/4 * 64 * 2.0 * 20 * 6IPR	SH1/4 * 64 * 2.0 * 20 * T6	\	\	
SH1/4 * 64 * 2.0 * 20 * 7IP	SH1/4 * 64 * 2.0 * 20 * 7IPR	SH1/4 * 64 * 2.0 * 20 * T7	\	\	
SH1/4 * 64 * 3.0 * 20 * 8IP	SH1/4 * 64 * 3.0 * 20 * 8IPR	SH1/4 * 64 * 3.0 * 20 * T8	\	\	
SH1/4 * 64 * 3.0 * 20 * 10IP	SH1/4 * 64 * 3.0 * 20 * 10IPR	SH1/4 * 64 * 3.0 * 20 * T10	\	\	
SH1/4 * 64 * 3.5 * 20 * 15IP	SH1/4 * 64 * 3.5 * 20 * 15IPR	SH1/4 * 64 * 3.5 * 20 * T15	\	\	
SH1/4 * 64 * 4.0 * 20 * 20IP	SH1/4 * 64 * 4.0 * 20 * 20IPR	SH1/4 * 64 * 4.0 * 20 * T20	\	\	

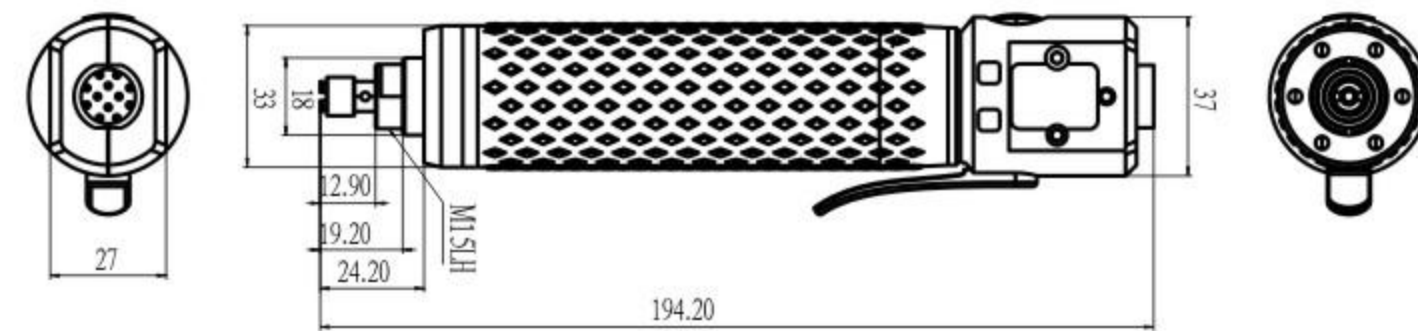


# External Dimensions

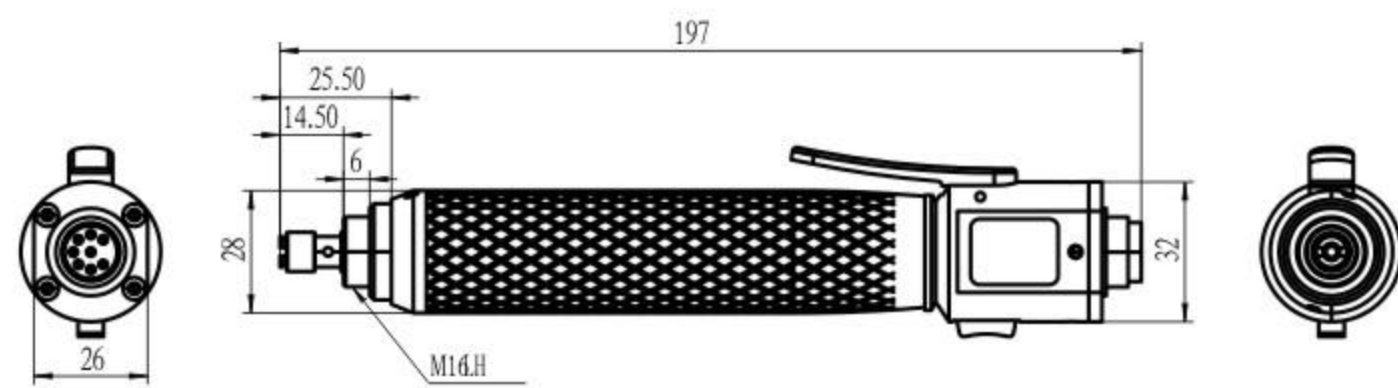
● YM-ZNJJ-008/YM-ZN-008-V1/YM-ZN-008-V2



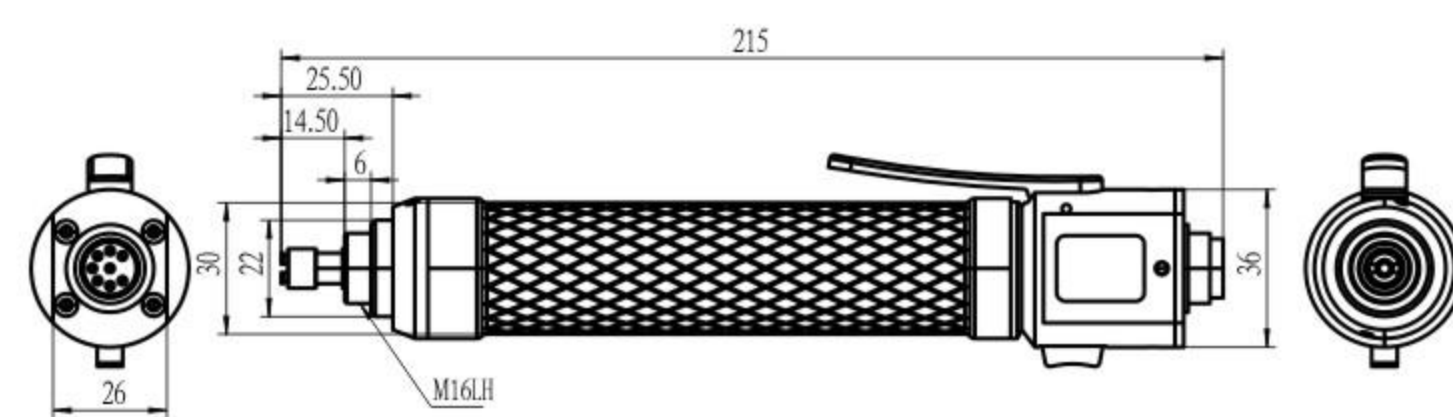
● YM-ZNJJ-015/YM-ZN-015-V1/YM-ZN-015-V2



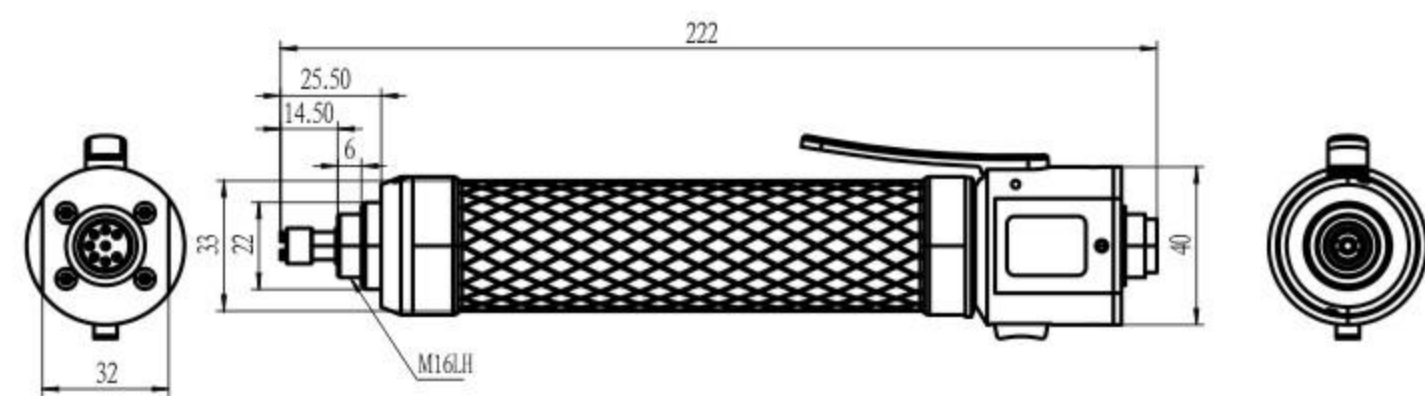
● YM-ZN-008/YM-ZN-008NLK



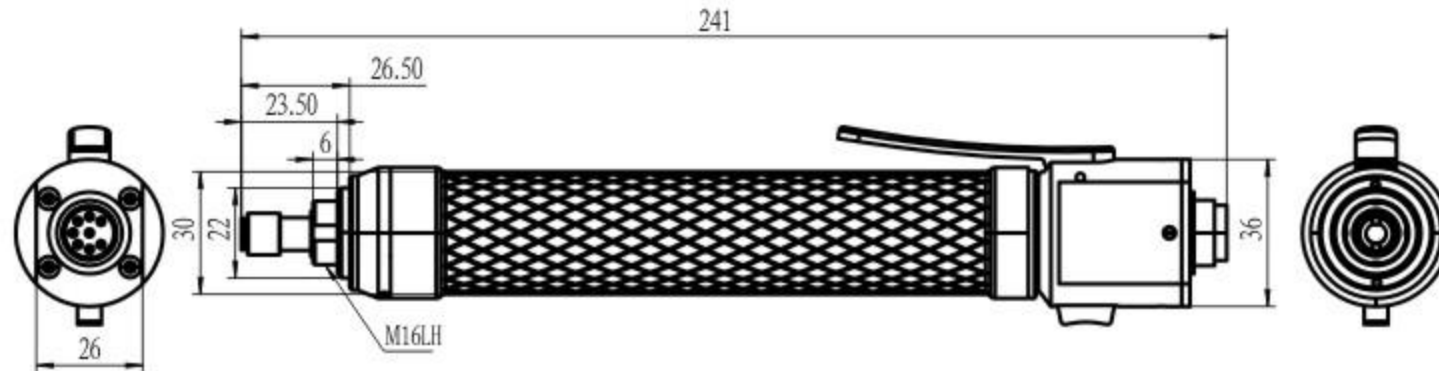
● YM-ZN-025/YM-ZN-025NLK



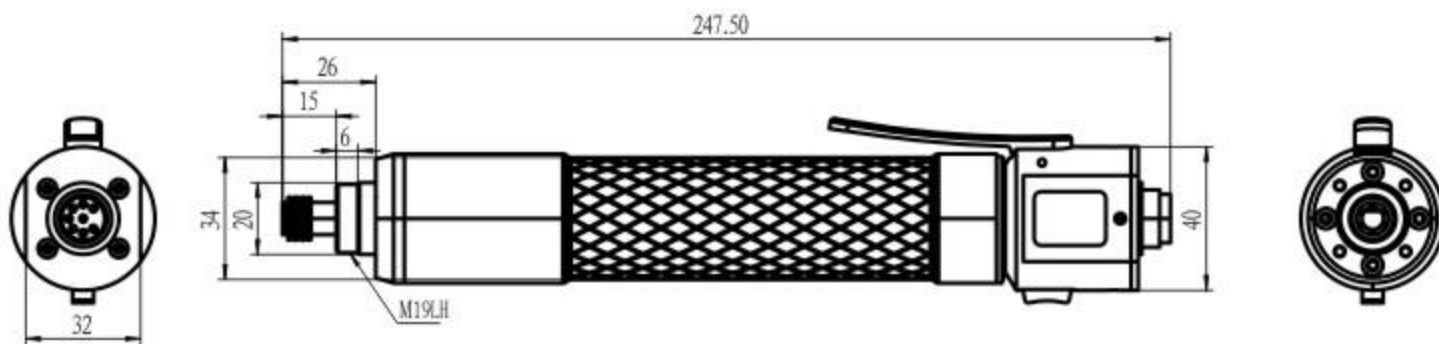
● YM-ZN-050/YM-ZN-050NLK



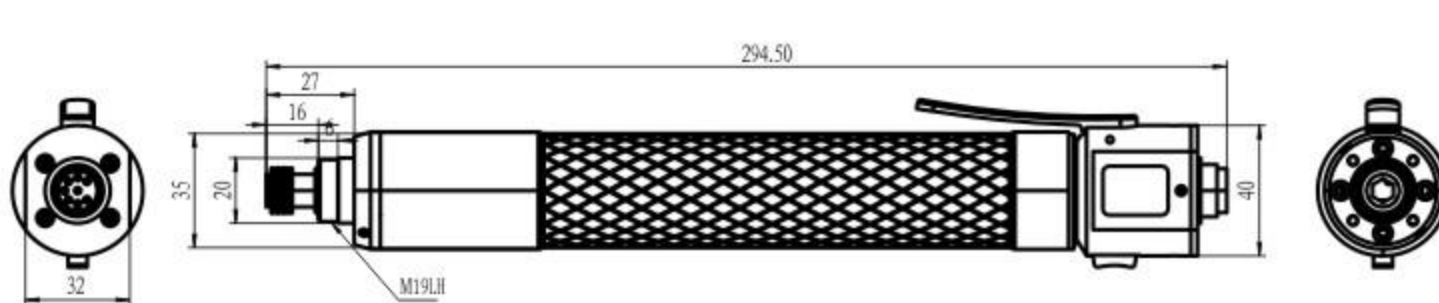
● YM-ZN-120/YM-ZN-120NLK



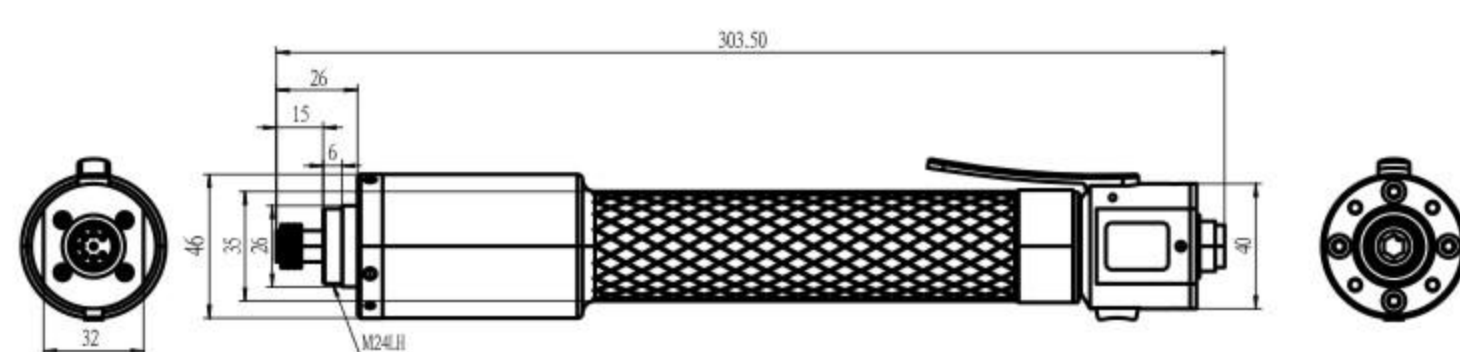
● YM-ZN-150/YM-ZN-150NLK/YM-ZN-250/YM-ZN-250NLK/YM-ZN-600/YM-ZN-600NLK/YM-ZN-800/YM-ZN-800NLK



● YM-ZN-1000/YM-ZN-1000NLK

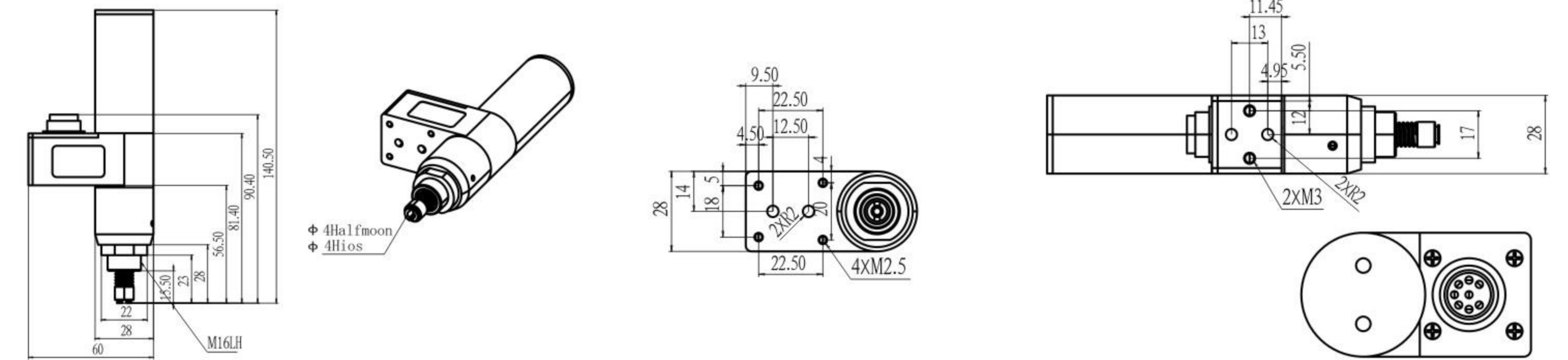


● YM-ZN-1500/YM-ZN-1500NLK

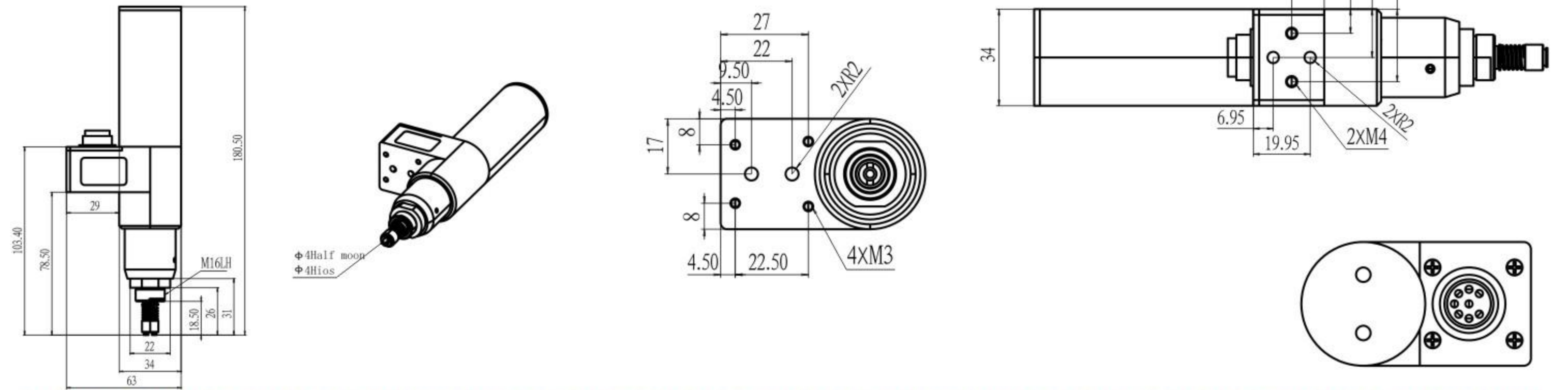


# External Dimensions

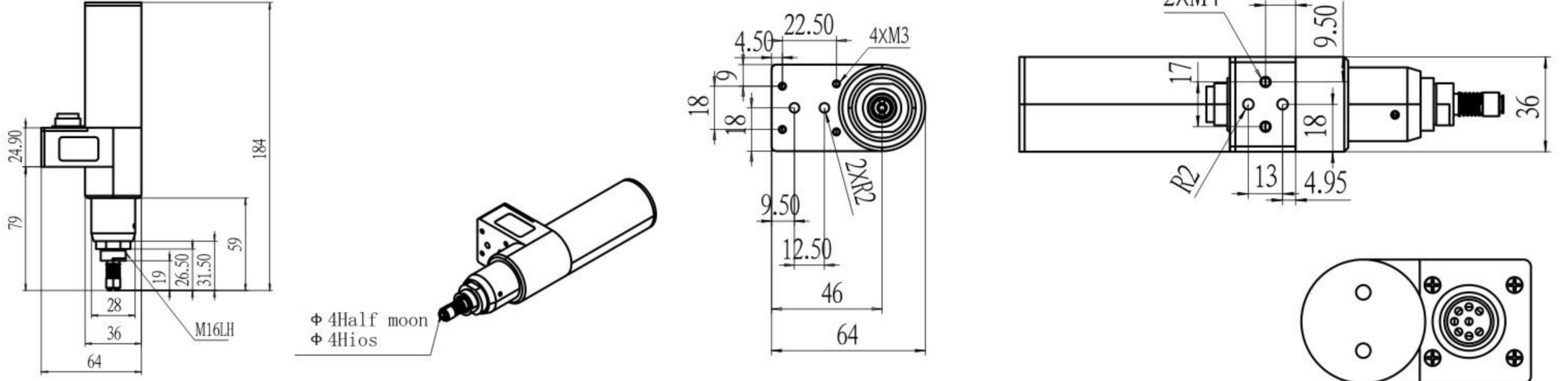
● YM-008-ATU



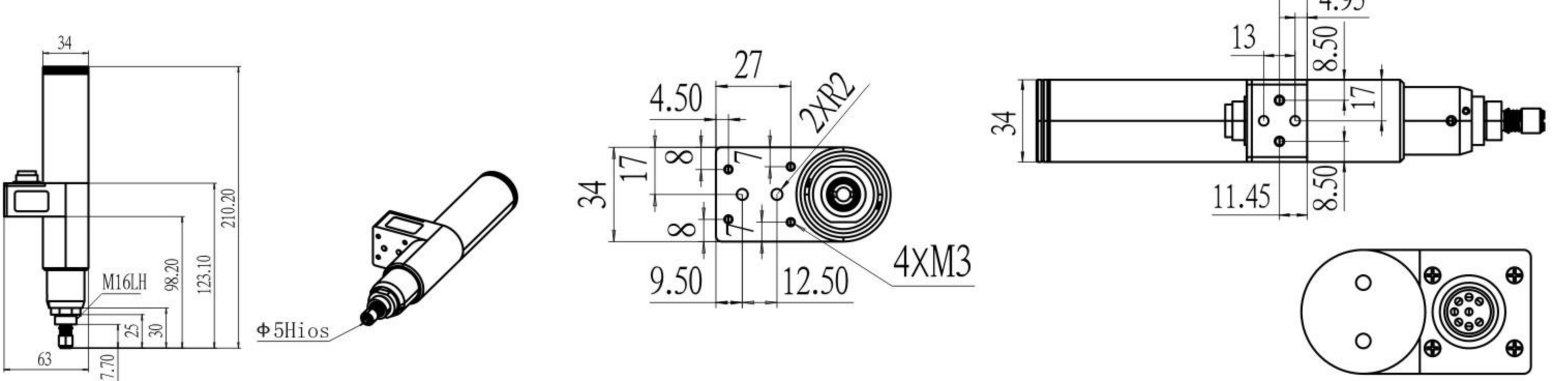
● YM-025-ATU



● YM-050-ATU

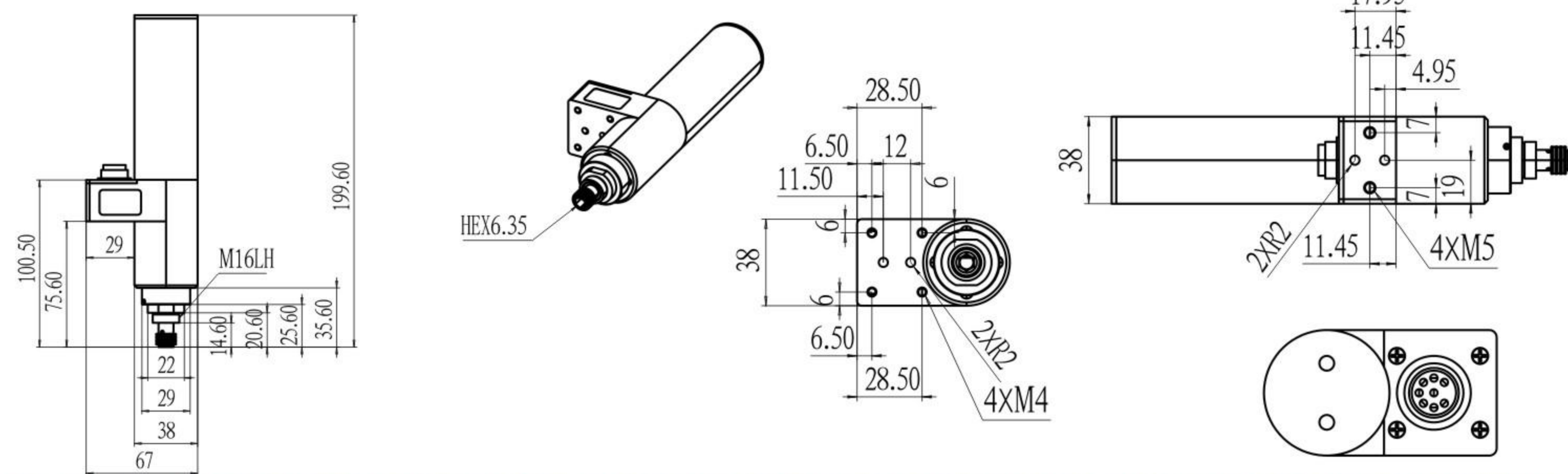


● YM-120-ATU

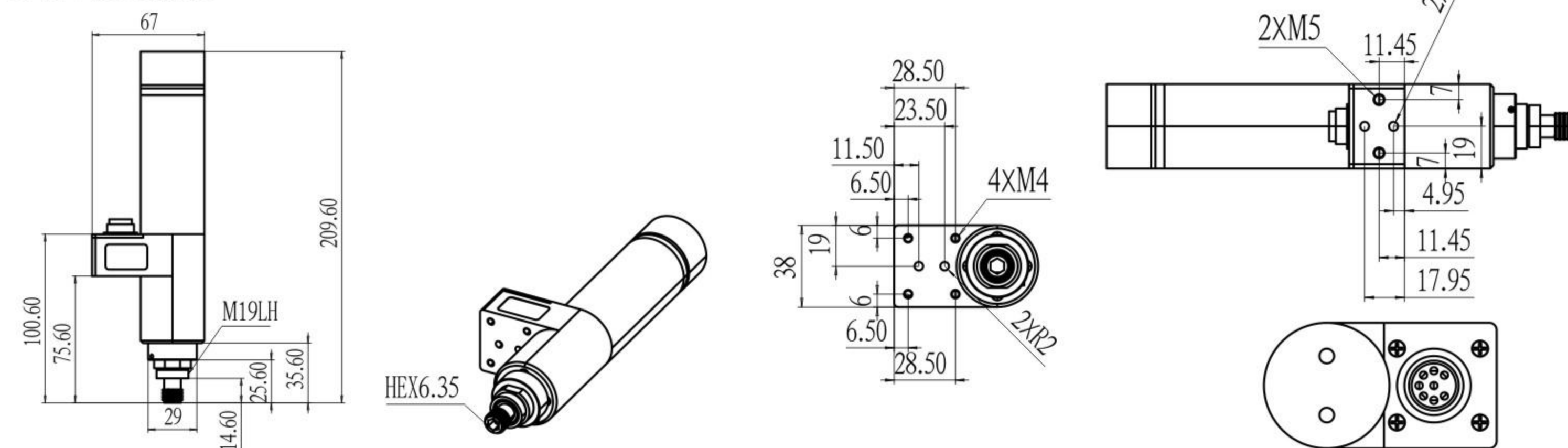


# External Dimensions

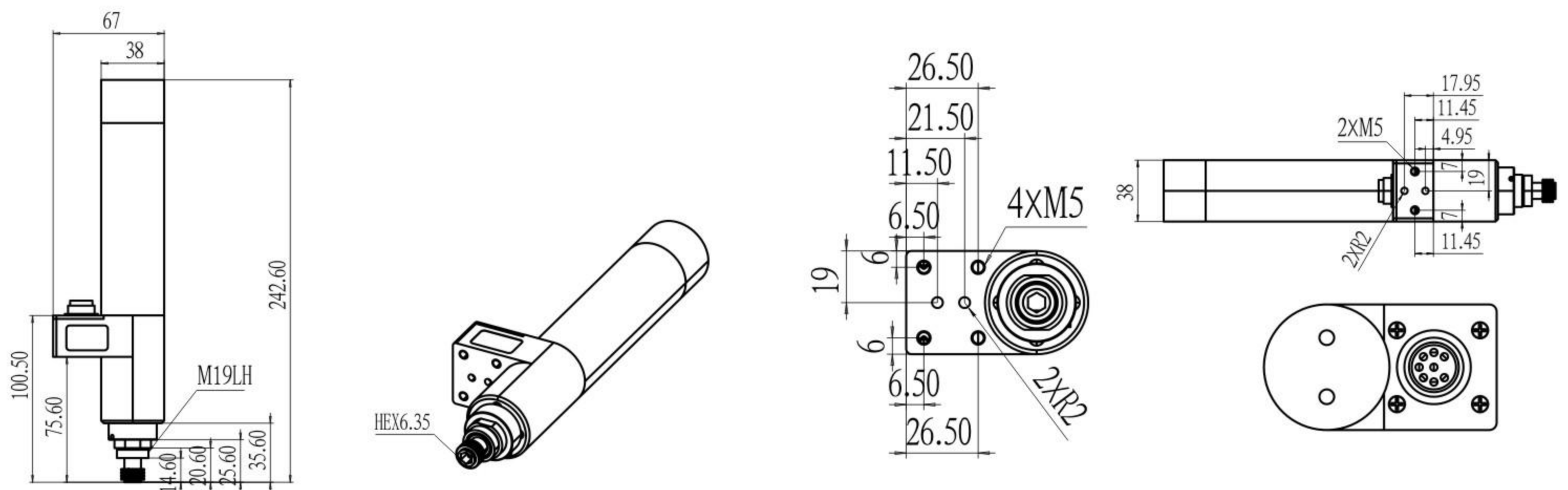
● YM-150-ATU/YM-250-ATU



● YM-600-ATU

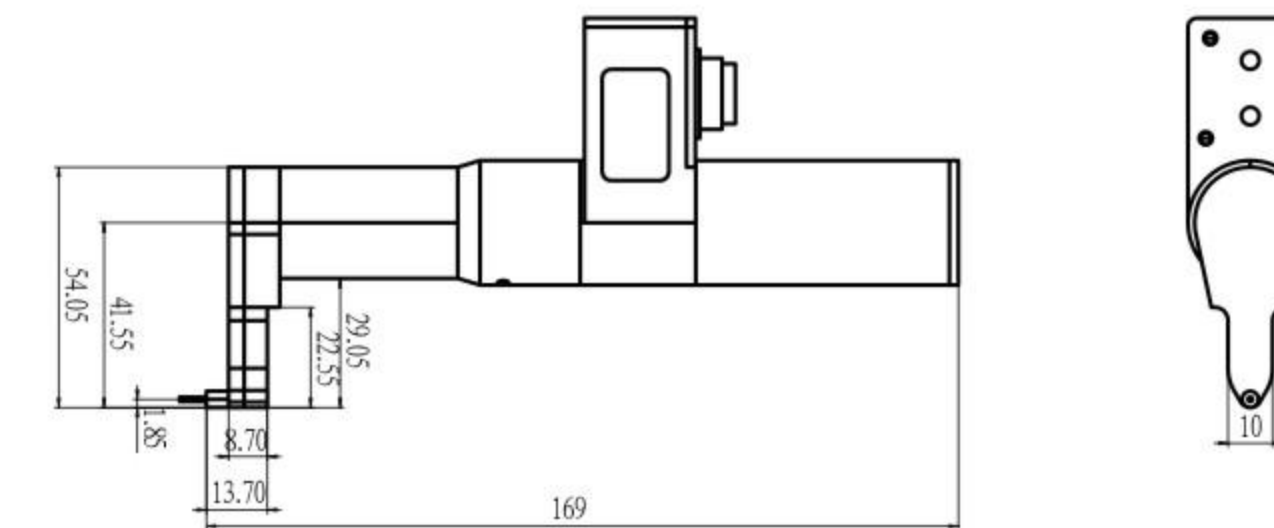


● YM-1000-ATU

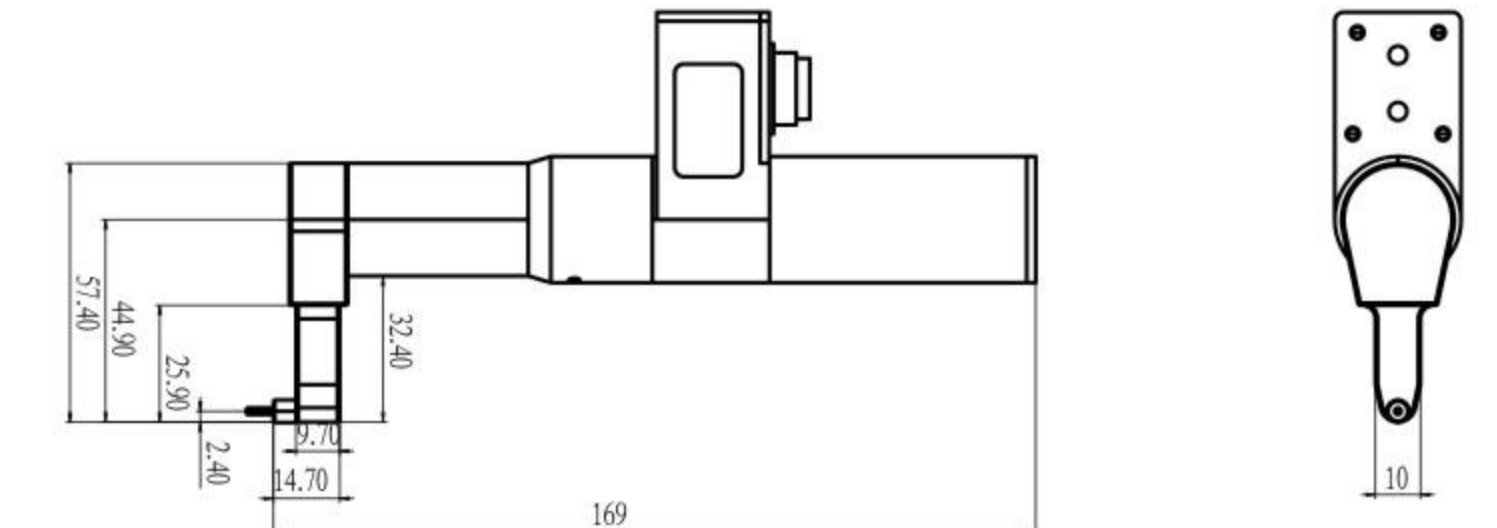


# External Dimensions

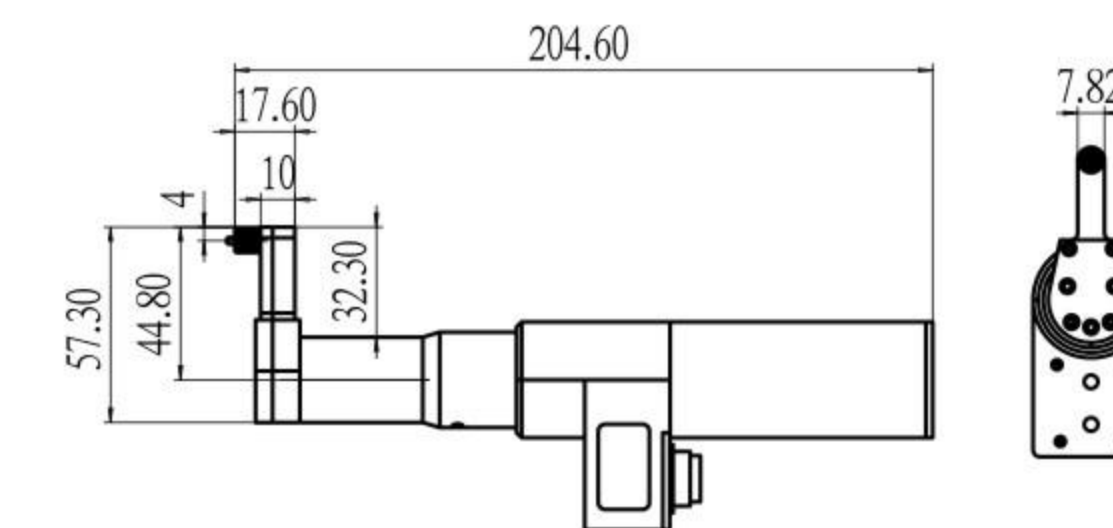
● YM-008-ATU-1.8Z/YM-008-ATU-1.8ZQX



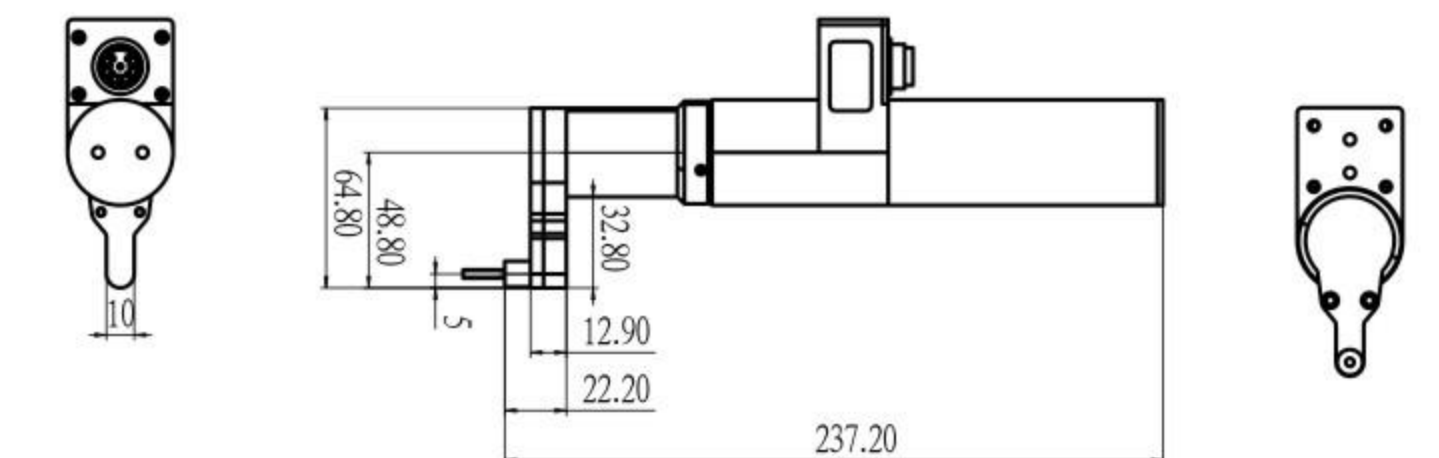
● YM-008-ATU-2.4Z /YM-008-ATU-2.4ZQX



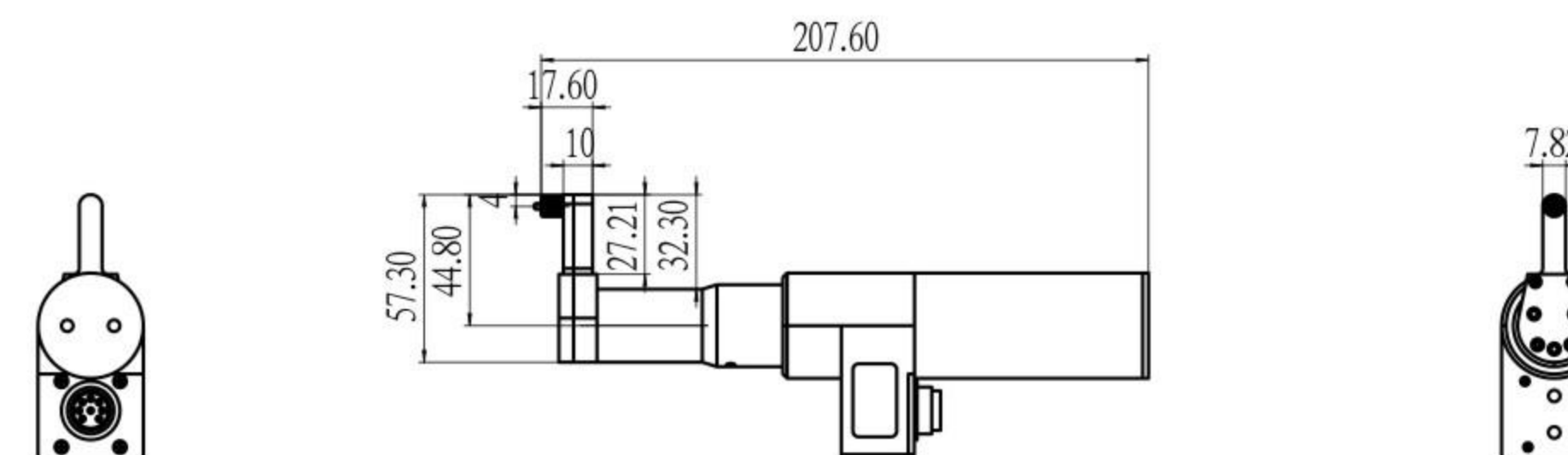
● YM-025-ATU-Z/YM-025-ATU-ZQX/



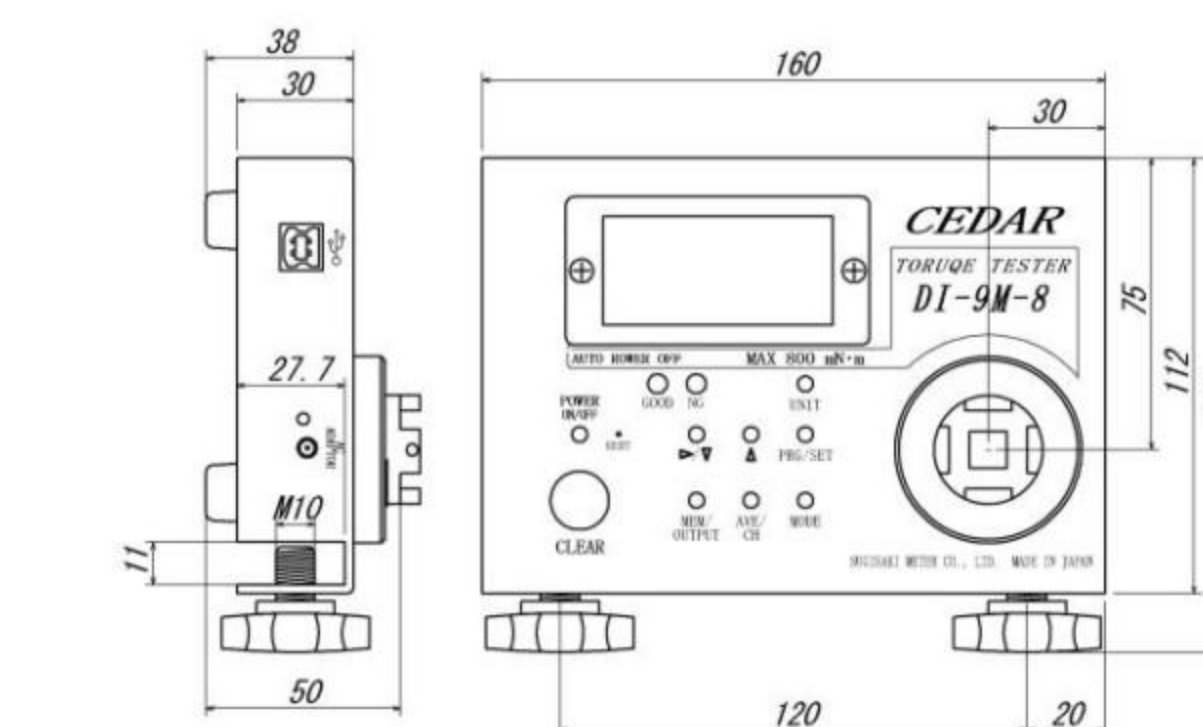
● YM-150-ATU-Z/ YM-150-ATU- ZQX



● YM-050-ATU-Z/YM-050-ATU-ZQX



● DI-9M-08



● CD-10M/CD-100M

